

Illinois State Police, Bureau of Identification

# Electronic Fingerprint Submission Specifications

Version 6.0



## Summary of Changes

Revision Date	Section	Description
July 15, 2015	Global	Changed reference to ANSI/NIST – ITL - 2011
July 15, 2015	Record Formats	Paragraph 5, clarified definition of SMT to Scars, Marks, and Tattoos
July 15, 2015	Fingerprint Image Quality Certification Requirements	Modified header to include Certification requirements. Added paragraph 2 detailing certification requirements
July 15, 2015	SFTP Submission Partition Layout	Paragraph 2, removed sentence “This is accomplished by submitting all transactions into the master device DID provided by the Illinois State Police and inserting the original live scan ID in the signal file.”
July 15, 2015	SFTP Submission Partition Layout	Paragraph 2, last sentence: changed “...responsibility of the ISP STC...” to “...responsibility of the submitting STC...”
July 15, 2015	SFTP Submission Partition Layout	Added the tag <grpxx>/ to submission path references
July 15, 2015	SFTP Submission Partition Layout	Added new paragraph on Mobile ID responses.
July 15, 2015	Appendix C, Access and Review	Added field tag information to allow requester information (name and address information) to be submitted on an Access and Review fingerprint transaction
July 15, 2015	SFTP Submission Partition Layout	Paragraph 7 Removed “...SUBMIT file and” before acknowledgement file from the second sentence
July 15, 2015	Appendix N (now Appendix J)	Moved the appendix for Juvenile Arrest submissions from Appendix N to Appendix J for consistency. This modified the appendix identification of the appendices following it. A: Documents from ISP B: Type 1 Record C: Type 2 Access & Review D: Type 2 Arrest E: Type 2 Criminal Justice Applicant F: Type 2 Custodial Receive G: Type 2 Fee Applicant H: Type 2 Fingerprint Inquiry I: Type 2 UCIA Fingerprint Submission J: Type 2 Juvenile Arrest (previously N) K: Type 10 Photographs (previously J) L: Type 1 Data (previously K) M: Type 2 Data (previously L) N: Live Scan/AFIS Example (previously M) O: Type 10 Data (new) P: NCIC Code Tables (new)
July 15, 2015	Appendix C, D, E, F, G, H, I, J, K	Modified table format for fingerprint transactions (Type 2) and photo submissions (Type 10)
July 15, 2015	Appendix C, D, E, F, G, H, I, J, K	Modified field name for the 2.014 field from FBI Number to FNU (FBI Number ) to reflect changes to the FBI’s NGI system
July 15, 2015	Appendix L and M	Modified description format for Type 1 and Type 2 records. Descriptions will now be listed in order of field number instead of alphabetic order by field name
July 15, 2015	Appendix I	Modified the requirements for the 2.381 subfields. When

<b>Revision Date</b>	<b>Section</b>	<b>Description</b>
		address information is present in this field, either the requester name or the requester agency is required.
July 15, 2015	Appendix O	Added a new appendix to provide description information for Type 10 records.
July 15, 2015	Appendix P	Added a new appendix to provide code tables for various fields.
November 2013	Appendix J	Added the required 10.013 field in the Type 10 record format for photos.
November 2013	Appendix J	Changed the title from Criminal Photographs to Photographs.
May 4, 2011	Introduction/ Record Formats	Changed reference to ANSI/NIST-ITL 1-2007
May 4, 2011	Data Communications Standards	Changed Application Layer from NFS to FTP
May 4, 2011	Data Transfer	Changed reference from NFS to FTP, access requirements, and live scan procedures
May 4, 2011	SFTP Submission Partition Layout	Change references from NFS to SFTP

# Table of Contents

<b>INTRODUCTION.....</b>	<b>1</b>
<b>REQUIREMENTS .....</b>	<b>2</b>
<b>Record Formats.....</b>	<b>2</b>
<b>Fingerprint Image Quality Certification Requirements .....</b>	<b>2</b>
<b>Fingerprint Image Compression.....</b>	<b>3</b>
<b>Data Communications Standards .....</b>	<b>3</b>
<b>Data Encryption Standards.....</b>	<b>3</b>
<b>LIVE SCAN/AFIS INTERFACE .....</b>	<b>4</b>
APPENDIX A - DOCUMENTS AVAILABLE FROM ISP .....	14
APPENDIX B - TYPE 1 RECORD FORMAT .....	15
APPENDIX C - TYPE 2 RECORD FORMAT FOR ACCESS AND REVIEW .....	16
APPENDIX D - TYPE 2 RECORD FORMAT FOR ARREST .....	19
APPENDIX E - TYPE 2 RECORD FORMAT FOR CRIMINAL JUSTICE APPLICANTS .....	24
APPENDIX F - TYPE 2 RECORD FORMAT FOR CUSTODIAL RECEIPT .....	27
APPENDIX G - TYPE 2 RECORD FORMAT FOR FEE APPLICANTS .....	32
APPENDIX H - TYPE 2 RECORD FORMAT FOR FINGERPRINT INQUIRY .....	35
APPENDIX I - TYPE 2 RECORD FORMAT FOR UCIA FINGERPRINT SUBMISSIONS .....	37
APPENDIX J - TYPE 2 RECORD FORMAT FOR JUVENILE SUBMISSIONS .....	39
APPENDIX K - TYPE 10 RECORD FORMAT FOR PHOTOGRAPHS.....	44
APPENDIX L - DESCRIPTORS AND FIELD EDIT SPECIFICATIONS FOR ISP DEFINED TYPE 1 DATA FIELDS.....	46
APPENDIX M - DESCRIPTORS AND FIELD EDIT SPECIFICATIONS FOR ISP DEFINED TYPE 2 DATA FIELDS.....	50
APPENDIX N - LIVE SCAN/AFIS EXAMPLE .....	68
APPENDIX O - DESCRIPTORS AND FIELD EDIT SPECIFICATIONS FOR ISP DEFINED TYPE 10 DATA FIELDS.....	71
APPENDIX P – NCIC CODE TABLES .....	77
Illinois County Codes.....	77
State Codes.....	79
Territorial Possession Codes .....	80
Foreign Countries/Dependencies/ Territories .....	81
Canadian Provinces .....	88
Mexican States .....	89
Indian Nations.....	90
Scars, Marks and Tattoos Codes .....	91
Tattoo Classes.....	97

## **Introduction**

Live scan and card scan fingerprint technologies offer a significant opportunity to improve the criminal justice system in Illinois. The Illinois State Police supports and, in fact, encourages implementation of these technologies. The intent is to totally automate the capture and processing of fingerprint submissions. Major efforts are underway at both the Illinois State Police and the Federal Bureau of Investigation to improve the quality, timeliness, and usability of criminal history record information which are based upon live scan and card scan technology.

Live scan technology provides the capability to roll inkless fingerprints and capture related personal identification and criminal justice transaction information. This information can then be transmitted electronically to the Illinois State Police for identification of the subject and determination of any prior criminal history record. Card scan is also available for the scanning of fingerprints cards which have been completed in the traditional ink and roll method.

The Illinois State Police, and other organizations, have developed standards for live scan and card scan submissions. The purpose of this document is to provide detailed specifications and standards for the electronic submission of fingerprint based events and custodial receipts to the Illinois State Police.

All electronic submissions to the Illinois State Police must conform to the following standards and specifications. Fingerprint submissions from local and state agencies must be processed by ISP prior to submission to the FBI. These standards and specifications contain the information required by ISP and the FBI. The Illinois State Police will submit all arrest, custodial and inquiry submissions which meet FBI requirements to the FBI.

## Requirements

### **Record Formats**

*The American National Standard for Information Systems - Data Format for the Interchange of Fingerprint Information (ANSI/NIST-ITL 1-2011)* defines the content, format and units of measurement for the electronic exchange of fingerprints and related information. The typical transmission to ISP will contain one Type 1 record (transaction information), one Type 2 record (descriptive data of the subject and the event), fourteen Type 4 records (fingerprint images - ten rolled impressions and four slaps), and one or more Type 10 records (digital photographs) and possibly Type 15 (palm print).

The Type 1 record of the ANSI/NIST standard describes the type and use of the transaction. It includes a listing of each logical record included in the file, the originator and destination of the file and related information. Appendix B contains the Type 1 record format.

The Type 2 record of the ANSI/NIST standard contains the descriptive information for the subject and event. The ISP format for the Type 2 records for submissions is contained in Appendices D thru N. All alphabetic values must be reported in capital letters.

The Type 4 records of the ANSI/NIST standard contain the fourteen (14) fingerprint images - each of the ten (10) rolled impressions and four (4) slaps. The Type 4 records will be created by the live scan or card scan system.

The Type 10 records of the Addendum to the ANSI/NIST standard (Data Format for the Interchange of Fingerprint, Facial, & Scars, Marks, and Tattoos (SMT) Information [ANSI/NIST-ITL 1-2011]) contain up to four photos of the subject. Appendix J contains the Type 10 record format. ISP is developing a photo archive to serve all applications. As this archive is designed and developed, the specifications for Type 10 records may be modified.

### **Fingerprint Image Quality Certification Requirements**

All live scan and card scan equipment must be approved by the FBI to ensure image quality. The FBI issues letters of approval which agencies should require as part of their acquisition process to ensure conformance with image quality standards.

All entities seeking to submit live scan fingerprint transactions to the ISP must comply with equipment certification requirements, live scan transaction related rules and regulations before being authorized to connect live scan devices to the ISP live scan

network. To obtain instructional materials on equipment certification, rules, regulations, and a Live Scan Memorandum of Understanding, please contact the Customer Support Unit by email at [BOI\\_Customer\\_Support@isp.state.il.us](mailto:BOI_Customer_Support@isp.state.il.us).

### **Fingerprint Image Compression**

The standard for fingerprint image compression is the FBI's Wavelet Scalar Quantization (WSQ) Gray-Scale Fingerprint Image Compression Specification. An average compression rate of 15:1 has been selected. Implementation of this compression routine must be approved by the FBI. The FBI issues letters of approval which agencies should require as part of their acquisition.

### **Data Communications Standards**

Live scan and card scan files must be received by ISP utilizing the following protocols:

Application layer	FTP
Transport layer	TCP
Network layer	IP
Data link layer	Ethernet
Physical layer	IEEE802.3

ISP should be contacted to determine the communications network to be utilized for electronic submissions.

### **Data Encryption Standards**

Effective September 1, 2002, any data transmitted across any electronic network in which data passes through any common carrier, including, but not limited to, the Internet, must encrypt all data to a minimum 128-bit encryption standard and must authenticate, by means of managed PKI SSH or SSL Certificates, the devices transmitting data as per the *FBI CJIS Security Policy* specifications and the *ISP Live scan Security Policy* specifications.

The *FBI CJIS Security Policy* and the *ISP Live scan Security Policy* are incorporated into, and made part of, this document by reference.



## Live scan/AFIS Interface

This section contains specifications that govern how live scan devices will submit fingerprint and text data to the NEC Automated Fingerprint Identification System (AFIS).

Each live scan device will submit National Institute of Standards and Technology (NIST) format text and images to the NEC STC (Submission Transaction Controller) using the SSH File Transfer Protocol (sometimes referred to as **Secure File Transfer Protocol** or via it's commonly known acronym **SFTP**).

- Device ID
- Group ID
- Unique User ID
- Unique Password
- TCP/IP address
- Name of the Host to access

When these data items are obtained, the live scan device will use the following procedure each time it initially connects to the network:

- On initial connection, the live scan device will be delivered into the live scan's home directory. The live scan device will then proceed to navigate to the path provided by the Illinois State Police after appending the sending device DID to the root path.
- Verify that it has the latest versions of any environment files, tables, validation files, forms or data sets by examining files found in the common partition and copying newer files to the proper location on the live scan device. It shall be the responsibility of the live scan device to look for and copy file updates from the common partition.
- Read an environment file in the common partition that contains the name of a root path partition to which submissions will be sent.
- Mount the submission partition named in the environment file after appending the sending device DID to the root path.

For each submission the live scan device will:

- Write the NIST data to the live scan device id directory.
- Write a signal file to a predefined directory.

## **Data Transfer Using SFTP**

The SSH File Transfer protocol (SFTP) is the default transport mechanism for live scan device submitting text and image data to the STC. It is important that the live scan device utilizes a version of the secure FTP client that is compatible with the SFTP server.

The STC will make only one directory available to the live scan device. The SFTP directory will be used to receive submissions from the network. Each live scan device will be assigned a unique seven character device identifier that must be used in all submissions to the STC.

The STC will not mount/access any resources shared by the live scan device.

All test and image data submissions will be transmitted to the device partition in accordance with the specifications found in the section "SFTP Submission Partition Layout".

## **SFTP Submission Partition Layout**

After a submission device has successfully authenticated to the SFTP server, it will be placed in its home directory. The home directory will be based on the unique seven character device identifier assigned to it by the Illinois State Police. This section describes the layout of the submission directory.

In the event that the submitting device is a live scan store and forward concentrator, AFIS Router or AFIS Communication Management System (ACMS), with multiple live scan devices underneath, all submission of NIST text and image data will be treated the same as an individual live scan; noting that the live scan store and forward, AFIS Router or ACMS, must write the data to the proper live scan device subdirectory associated with the original submitting device DID. See "SFTP Submission Record Formats" for more information on the signal file format. In the event that the submitting device is another STC which is sending NIST records via email, or any other transport, it shall be the responsibility of the submitting STC to place the NIST records in the proper subdirectory associated with the original submitting device DID.

Under no circumstances will the live scan device be allowed to send NIST records to any device other than AFIS that is not under the direct physical control of the agency owning the live scan.

Each live scan device will be assigned to a group and each group will be assigned to each subdirectory on one of the SFTP partitions dedicated to the live scan network. Each device in the group will be further assigned to a subdirectory beneath the group

directory. From AFIS' point of view, the name of the subdirectory will contain the group identifier and the identifier assigned to the live scan device. For example, if the live scan is an ACMS or live scan device with a device id of abcdefg then the full submission path will be:

`/<grp>/livescanDID/abcdefg`

If the live scan device is a mobile id system with a device id of abcdefg, then the full submission path will be:

`/<grp>/mobileDID/abcdefg`

Mobile ID responses will be deposited in the "/out" directory of the submitting <mobileDID> device. It is the responsibility of the submitting device/STC to retrieve both the ISP (TPIS) and FBI (RPIS) responses from their respective directories.

This directory will be used to receive the NIST text and image data from the live scan device. The out directory under the subdirectory assigned to each live scan device will be used to find the acknowledgment file from STC. (See Submitting Text and Images for SUBMIT file and an acknowledgment file.)

Signal files will be sent to indicate that a submission is ready for processing (See Submitting Text and Images). There will be one directory dedicated to receiving these signal files. This directory will be called sigfiles. The sigfiles directory will be used by all live scan devices.

For example, in the case of a store and forward concentrator, AFIS Router or ACMS or live scan device using the live scan device of type livescan and DID of **abcdefg** relevant directories would be:

`/<grp>/livescanDID/abcdefg` NIST text and image directory assigned to live scan\_device abcdef of type livescan.

`/<grp>/livescanDID/abcdefg/out` SUBMIT and acknowledgment file directory assigned to live device abcdefg of type livescan.

`/sigfiles` directory where all live scan devices will write signal files.

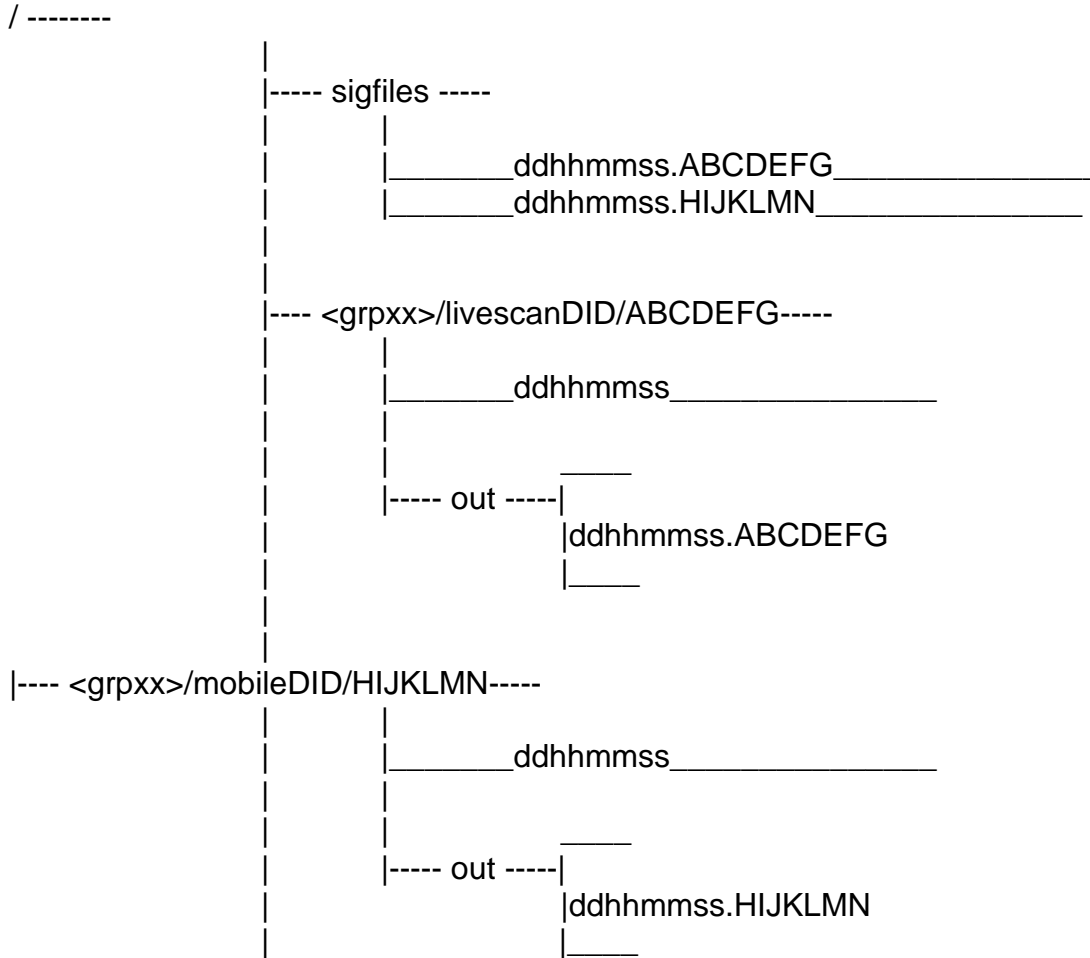
And in the case of a portable mobile identification device using the live scan device of type mobileid and DID of **hijklmn** relevant directories would be:

`/<grp>/mobileDID/hijklmn` NIST text and image directory assigned to live scan device abcdef of type livescan.

/<grp>/mobileDID/hijklmn/out SUBMIT and acknowledgment file directory assigned to live device abcdefg of type livescan.

/sigfiles directory where all live scan devices will write signal files.

Listed below is the submission directory structure.



**Submitting Text and Images**

The text and image set will be concatenated into a single file. The file name of the text and image set must be in the format of **ddhmmss** to distinguish it from previously submitted records. After transmission of text and images is complete, the live submission device will copy a signal file to the STC's sigfiles directory.

Once the STC has received a transaction it will immediately write an acknowledgment file (ddhmmss.ABCDEFG or ddhmmss.HIJKLMN) to the **out** directory indicating the

record has been received.

Live scan will check the out directory at a constant interval for an acknowledgment file that the transaction has been received by STC. If the acknowledgment does not appear in the out directory after a maximum timeout, the live scan will begin the submission process again with the SUBMIT check and the generation of a new ddhmmss file for the same NIST record data that has just timed out. The time stamp ddhmmss is updated and a new signal file is generated, but the NIST formatted record is simply resubmitted under the new name.

The live scan shall not send the next queued record until it has received the acknowledgment file for the current NIST record sent. The live scan device may resubmit the current record, with a new time stamp, only if the maximum timeout has expired. The live scan device may not resubmit a record more times than as specified by the maximum retry count. In the event that the live scan device timed out and the maximum retry count has been reached, the live scan device must halt and produce an error message visible to the operator. An operator will be required to clear the error message and manually reinitiate the send of the same record or move to the next queued record.

It will be the responsibility of the STC to process and clean up any of the “orphaned” NIST records, signal files and acknowledgment files due to repeated re-submission. The constant interval and the maximum amount of time will be defined by the Illinois State Police upon issuance of a DID.

It will be the responsibility of the live scan device to reconcile the acknowledgment file from the STC to the corresponding record on the live scan thereby ensuring the proper record is purged from the live scan.

All text and image data submitted to the STC will be in NIST format.

Any and all data contained in the Type 2 record will be edited/validated to conform to the specifications defined in appendices B thru N with respect to data type, length, and where applicable, content prior to the NIST record being transmitted.

It will be the responsibility of the live scan device to include all mandatory fields in the Type 2 record.

It will be the responsibility of a local booking system and not the live scan device, to maintain the Statute Table.

All data exchanged between any booking or in-house system and the live scan device will be in NIST Type1 and Type 2 format and shall employ the SFTP protocol as the transport.

The live scan vendor must make each live scan owner aware of the above mentioned requirements and responsibilities.

The submission data flow for a submitting device and AFIS may be visualized as:

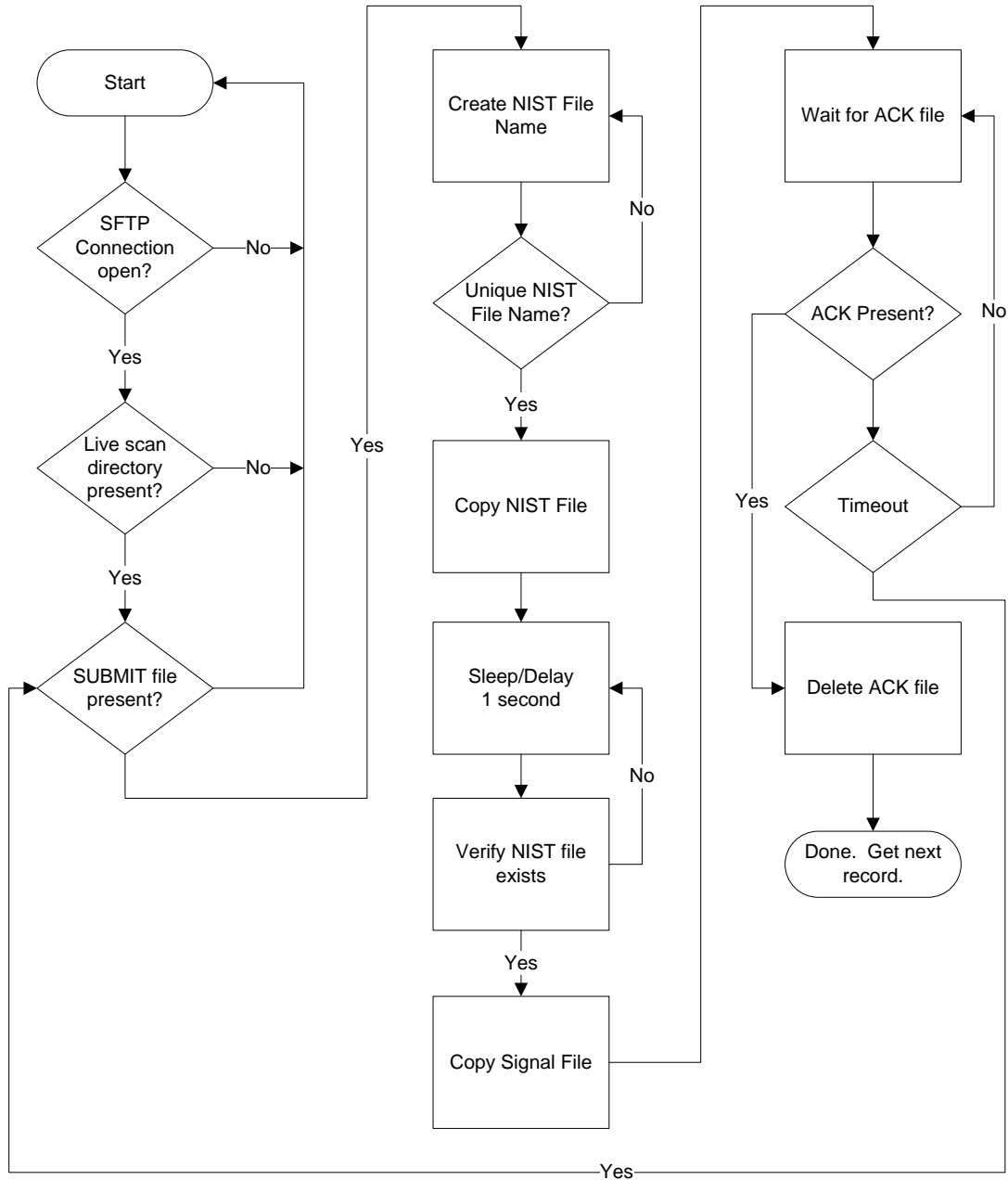


Figure 1 NIST Submission Data Flow

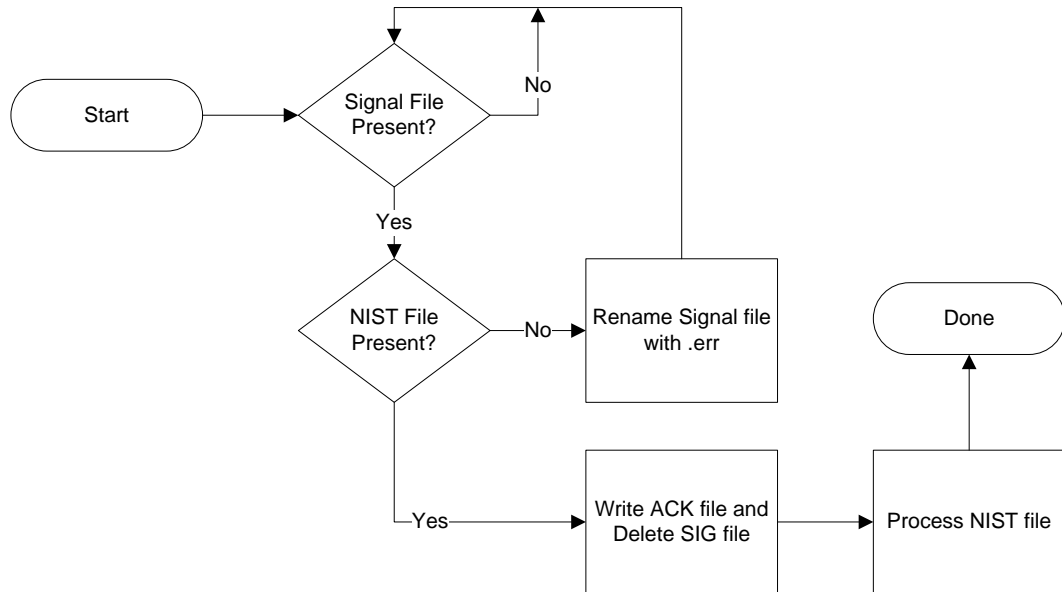


Figure 2 NIST Reception Data Flow

### Text and Image File Name Set

At the time of submission, the device will create within its assigned device directory a NIST file using a name composed of the date and time of the submission. The format will be:

ddhhmmss

where

dd is the current day of the month,

hh is the hour based on the 24-hour clock,

mm is the minutes and

ss is the seconds.

### Signal File Format

When transmission of the text and image set is complete, the device will create a signal file in the **sigfiles** directory using a name composed of the time stamp of the submission and the live scan device id. The name of the signal file will be in the following format:

ddhmmss.LLLLLLL

where

ddhmmss is the name of the submission file and

LLLLLLL is the live scan device identifier.

See SFTP Submission Record Formats section for the contents of the signal file.

### **SFTP Submission Record Formats**

The record layouts for the SFTP record formats are provided below. The data elements are described as a tag/value format and may be in any order with the exception of the \_\_END\_\_ line, which must be last. Live scan will not honor any acknowledgment file or signal file that does not have the \_\_END\_\_ marker present. (Note that \_\_END\_\_ has double under-bar in both sides.)

#### SIGNAL FILE

SIGF: ddhmmss.LLLLLLL  
TOT: WXYZ  
TCN: LLLLLLLXXXXXXXXX

\_\_END\_\_

Where

SIGF: Is the tag for the signal file name. For AFIS Routers, ACMS and other TCs, this must be the original signal file name as submitted by the individual live scan device.

TOT: Is the transaction type. This can be obtained from the 1.04 field contained within the Type 1 of the NIST record. See appendix A.

TCN: Is the transaction control number. This can be obtained from the 1.09 field contained within the Type 1 of the NIST record. See appendix A.

\_\_END\_\_ Is the end of file marker

Note: The subsequent acknowledgment file generated by AFIS corresponding to a submission will include all information in the signal file that the live scan generated



(minus the \_\_END\_\_ marker) with the ARV data element appended to the end.

### **Directory Schematic**

The general structure of the SFTP directory in diagram form appears below.

#### SIGNAL FILE

/	root directory
sigfiles/	directory for signal files from all devices.
ddhmmss.LS47812	(signal file from live scan device LS47812)
ddhmmss.LSABCDE/	(signal file from live scan device LSABCDE)
ddhmmss.LSABCDE/	(signal file from live scan device LS12345)
LS47812/	NIST text and image directory for live scan device LS47812
out/	Acknowledgment file directory for live scan device LS47812
ddhmmss	(text and images for one submission)

### **File Definitions**

Listed below are the various definitions of files that will interact with the live scan device. The order listed is the order encountered.

### **New Submission Signal File to AFIS**

When the transmission to AFIS of the text and image set is complete, the live scan device will create a signal file using a name composed of the time stamp of the submission and the live scan device id. The name of the signal file will be in the following format:

ddhmmss.LLLLLLL

Where:

ddhhmmss is the name of the submission file

LLLLLLL is the live scan device identifier.

The contents of this signal file are the signal file name and \_\_END\_\_ marker.

File name-	/(partition)/sigfiles/(timestamp.live scan id)
Contents	- Signal file name, __END__ marker
Sample Name	- /ls1/sigfiles/29134327.LS47812
Sample File	- SIGF:29134327.LS47812 __END__

### **Remote Management**

Any live scan device that is capable of hosting a WINDOWS REMOTE DESKTOP CONNECTION session shall have that ability enabled. At the opening of the session the remote user shall be prompted for and required to enter a user name and password. The ISP shall supply a standard user name and password for the vendor to install on all live scan devices.

Any live scan device capable of running PC ANYWHERE as a remote management utility shall employ that utility.

### **Interfaces to Local Systems**

Interfaces between live scan/card scan systems and local automated systems should conform to these same specifications for Type 1, Type 2 and Type 10 record formats. If additional informational items (e.g., arresting officer, address of arrest, etc.) need to be exchanged between the live scan/card scan system and a local automated system, field tag numbers between 2.901 and 2.999 may be utilized.

## **APPENDIX A - DOCUMENTS AVAILABLE FROM ISP**

Administrative Office of the Illinois Courts Automated Disposition Reporting Data Dictionary

ANSI/NIST-ITL 1-2011 Data Format for the Interchange of Fingerprint, Facial, and SMT Information

FBI Electronic Biometric Transmission Specification. Includes Appendix F CJIS Image Quality Specifications

FBI Wavelet Scalar Quantization (WSQ) Gray-Scale Fingerprint Image Compression Specification

US DOJ FBI CJIS Security Policy V3.1 (Subject to Change)

US DOJ FBI CJIS Security Policy Addendum dated March 2003

ISP Live scan Security Policy V1.0

## APPENDIX B - TYPE 1 RECORD FORMAT

Type legend: A = Alphabetic, N = Numeric, S = Symbol

Field Tag and Name	Required?	Type	Size		Occurrence		Sample
			Min	Max	Min	Max	
<b>1.01</b> Record Header (Logical Record Length)	Yes	N	2	5	1	1	1.01:137<GS>
<b>1.02</b> Version Number	Yes	N	4	4	1	1	1.02:0201<GS>
<b>1.03</b> Transaction Content (File Content)	Yes	AN	9	48	1	1	1.03:1<US>1<RS>2<US>00<GS>
<b>1.04 -</b> Type of Transaction	Yes	A	3	4	1	1	1.04:FAP<GS>
<b>1.05 -</b> Date	Yes	N	8	8	1	1	1.05:20131224<GS>
<b>1.06 -</b> Priority	No	N	1	1	1	1	1.06:4<GS>
<b>1.07 -</b> Destination Agency Identifier	Yes	AN	9	9	1	1	1.07:IL0998900<GS>
<b>1.08 -</b> Originating Agency Identifier	Yes	AN	9	9	1	1	1.08:LS0998900<GS>
<b>1.09 -</b> Transaction Control Number	Yes	ANS	16	16	1	1	1.09:LS10646L60412922<GS>
<b>1.10 -</b> Transaction Control Reference Number	No	ANS	16	40	1	1	1.10:LS10646L60412922<GS>
<b>1.11 -</b> Native Scanning Resolution	Yes	N	5	5	1	1	1.11:19.69<GS>
<b>1.12 -</b> Nominal Transmitting Resolution	Yes	N	5	5	1	1	1.12:19.69<FS>

## APPENDIX C - TYPE 2 RECORD FORMAT FOR ACCESS AND REVIEW

Type legend: A = Alphabetic, N = Numeric, S = Symbol

Field Tag and Name	Required?	Type	Size		Occurrence		Sample
			Min	Max	Min	Max	
<b>2.001</b> – Logical Record Length	Yes	N	2	6	1	1	2.001:532<GS>
<b>2.002</b> – Image Designation Character	Yes	N	2	2	1	1	2.002:00<GS>
<b>2.006</b> – Attention Indicator	No	ANS	3	30	1	1	2.006:JOHN DOE <GS>
<b>2.014</b> – FNU (FBI Number)	No	AN	1	9			2.014:62760NY12<GS>
<b>2.015</b> – State Identification Number (SID)	No	AN	3	10			2.015:IL00002710<GS>
<b>2.016</b> – Social Security Number	No	N	9	9			2.016:220565855<GS>
<b>2.017</b> – Miscellaneous Identification Number	No	ANS	4	15	1	4	2.017:PP-1234567890P<GS>
<b>2.018</b> – Name	Yes	AS	3	30	1	1	2.018:DOE, JOHN<GS>
<b>2.019</b> – Aliases	No	AS	3	30	1	10	2.019:DOE, JON<GS>
<b>2.020</b> – Place of Birth	Yes	A	2	2	1	1	2.020:IL<GS>
<b>2.025</b> – Race	Yes	A	1	1	1	1	2.025:W<GS>
<b>2.026</b> – Scars, Marks, and Tattoos	No	AS	3	10	1	10	2.026:TAT ARM<GS>
<b>2.027</b> – Height	Yes	N	2	3	1	1	2.027:601<GS>
<b>2.029</b> – Weight	Yes	N	3	3	1	1	2.029:185<GS>
<b>2.031</b> – Eye Color	Yes	A	3	3	1	1	2.031:BLU<GS>
<b>2.032</b> – Hair Color	Yes	A	3	3	1	1	2.032:BRO<GS>
<b>2.036</b> – Photo Available Indicator	No	A	1	1	1	1	2.036:Y<GS>
<b>2.038</b> – Date Printed	Yes	N	8	8	1	1	2.038:20140115<GS>
<b>2.067</b> – Image Capture Equipment Set	No	AN	12	97	1	1	2.067:DBI<US>1134<US>12345<GS>
Originating Fingerprint Reading System Make		ANS	1	25	1	1	

Field Tag and Name	Required?	Type	Size		Occurrence		Sample
			Min	Max	Min	Max	
Originating Fingerprint Reading System Model		ANS	1	25	1	1	
Originating Fingerprint Reading System Serial Number		ANS	1	50	1	1	
<b>2.084</b> – Amputated or Bandaged Set	No	AN	2	2	1	13	2.084:03<US>XX<RS>09<US>UP<GS>
Finger Number		No	N	2	2		
Amputated or Bandaged Code	No	A	2	2			
<b>2.310</b> – Input Source ID	No	AN	8	8	1	1	
<b>2.311</b> – Record Format Source Code	Yes	AN	4	4	1	1	2.311:TYP2<GS>
<b>2.312</b> – Submission Type Code	Yes	A	2	5	1	1	2.312:RAR<GS>
<b>2.313</b> – Transaction Action Code	Yes	A	1	1	1	1	2.313:A<GS>
<b>2.314</b> – Document Control Number	Yes	AN	9	9	1	1	2.314:L12345678<GS>
<b>2.315</b> – Agency NCIC Number	Yes	AN	9	9	1	1	2.315:IL0998900<GS>
<b>2.319</b> – Date of Birth	Yes	N	8	8	1	1	2.319:19900831<GS>
<b>2.320</b> – Sex	Yes	A	1	1	1	1	2.320:F<GS>
<b>2.331</b> – Agency Case Number	Yes	AN	1	12	1		2.331:Z14-08427<GS>
<b>2.332</b> – Agency Case Number/ Indictment Number	No	ANS	1	12	1		2.332:20140806<GS>
<b>2.341</b> – Skin Tone Code	No	A	3	3	1	1	2.341:MBR<GS>
<b>2.342</b> – Driver's License Number	No	AN	1	20	1	1	2.342:Z00016496227<GS>
<b>2.343</b> – State Issuing Driver's License	No	A	2	2	1	1	2.343:IL<GS>
<b>2.381</b> – Requestor Segment	No <sup>1</sup>	AN			1	1	2.381:DOE, JOHN<US>JUSTICE LEAGUE<US>
Requestor Name	Yes <sup>1</sup>	AN	3	30	1	1	

Field Tag and Name	Required?	Type	Size		Occurrence		Sample
			Min	Max	Min	Max	
Agency Name	Yes <sup>1</sup>	AN	3	25	1	1	1234 MAIN STREET<US> ANYTOWN<US>IL<US> 20009<GS>
Street Address	Yes	ANS	1	60	1	1	
City	Yes	A	1	40	1	1	
State	Yes	A	2	2	1	1	
Zip Code	No	N	5	9	1	1	
Foreign Postal Code	No	ANS	1	6	1	1	

## APPENDIX D - TYPE 2 RECORD FORMAT FOR ARREST

Type legend: A = Alphabetic, N = Numeric, S = Symbol

Field Tag and Name	Required?	Type	Size		Occurrence		Sample
			Min	Max	Min	Max	
<b>2.001</b> – Logical Record Length	Yes	N	2	6	1	1	2.001:532<GS>
<b>2.002</b> – Image Designation Character	Yes	N	2	2	1	1	2.002:00<GS>
<b>2.006</b> – Attention Indicator	No	ANS	3	30	1	1	2.006:JOHN DOE <GS>
<b>2.007</b> – Send Copy To	No	AN	9	19			2.007:ILSAMPLE1<GS>
<b>2.014</b> – FNU Number	No	AN	1	9			2.014:62760NY12<GS>
<b>2.015</b> – State Identification Number (SID)	No	AN	3	10			2.015:IL00002710<GS>
<b>2.016</b> – Social Security Number	No	N	9	9			2.016:220565855<GS>
<b>2.017</b> – Miscellaneous Identification Number	No	ANS	4	15	1	4	2.017:PP-1234567890P<GS>
<b>2.018</b> – Name	Yes	AS	3	30	1	1	2.018:DOE, JOHN<GS>
<b>2.019</b> – Aliases	No	AS	3	30	1	10	2.019:DOE, JON<GS>
<b>2.020</b> – Place of Birth	Yes	A	2	2	1	1	2.020:IL<GS>
<b>2.021</b> – Country of Citizenship	No	A	2	2	1	1	2.021:US<GS>
<b>2.025</b> – Race	Yes	A	1	1	1	1	2.025:W<GS>
<b>2.026</b> – Scars, Marks, and Tattoos	No	AS	3	10	1	10	2.026:TAT ARM<GS>
<b>2.027</b> – Height	Yes	N	2	3	1	1	2.027:601<GS>
<b>2.029</b> – Weight	Yes	N	3	3	1	1	2.029:185<GS>
<b>2.031</b> – Eye Color	Yes	A	3	3	1	1	2.031:BLU<GS>
<b>2.032</b> – Hair Color	Yes	A	3	3	1	1	2.032:BRO<GS>
<b>2.035</b> – Palm Prints Available Indicator	No	A	1	1	1	1	2.035:Y<GS>



Field Tag and Name	Required?	Type	Size		Occurrence		Sample
			Min	Max	Min	Max	
<b>2.036</b> – Photo Available Indicator	No	A	1	1	1	1	2.036:Y<GS>
<b>2.038</b> – Date Printed	Yes	N	8	8	1	1	2.038:20140115<GS>
<b>2.040</b> – Occupation	No	ANS	1	50	1	1	2.040:PLUMBER<GS>
<b>2.045</b> – Date of Arrest/Received	Yes	N	8	8	1	1	2.045:20140115<GS>
<b>2.067</b> – Image Capture Equipment Set	No	AN	12	97	1	1	2.067:DBI<US>1134<US>12345<GS>
Originating Fingerprint Reading System Make		ANS	1	25	1	1	
Originating Fingerprint Reading System Model		ANS	1	25	1	1	
Originating Fingerprint Reading System Serial Number		ANS	1	50	1	1	
<b>2.070</b> – Request for FBI Electronic Rap Sheet	No	A	1	1	1	1	2.070:Y<GS>
<b>2.073</b> – Controlling Agency Identifier	No	AN	9	9	1	1	2.073:IL0999900<GS>
<b>2.084</b> – Amputated or Bandaged Set	No	AN	2	2	1	13	2.084:03<US>XX<RS>09<US>UP<GS>
Finger Number	No	N	2	2			
Amputated or Bandaged Code	No	A	2	2			
<b>2.310</b> – Input Source ID	No	AN	8	8	1	1	
<b>2.311</b> – Record Format Source Code	Yes	AN	4	4	1	1	2.311:TYP2<GS>

Field Tag and Name	Required?	Type	Size		Occurrence		Sample
			Min	Max	Min	Max	
<b>2.312</b> – Submission Type Code	Yes	A	2	5	1	1	2.312:ARR<GS>
<b>2.313</b> – Transaction Action Code	Yes	A	1	1	1	1	2.313:A<GS>
<b>2.314</b> – Document Control Number	Yes	AN	9	9	1	1	2.314:L12345678<GS>
<b>2.315</b> – Agency NCIC Number	Yes	AN	9	9	1	1	2.315:IL0998900<GS>
<b>2.319</b> – Date of Birth	Yes	N	8	8	1	1	2.319:19900831<GS>
<b>2.320</b> – Sex	Yes	A	1	1	1	1	2.320:F<GS>
<b>2.331</b> – Agency Case Number	Yes	AN	1	12	1		2.331:Z14-08427<GS>
<b>2.332</b> – Agency Case Number/ Indictment Number	No	ANS	1	12	1		2.332:20140806<GS>
<b>2.334</b> – Disposition of Arrestee Under 18	No	A	1	1	1	1	2.334:H<GS>
<b>2.337</b> – Arrestee Armed With Segment	Yes	AN			1	2	2.337:12<US>A<GS>
Weapon Type	Yes	N	2	2	1	2	
Automatic Weapon	Yes	A	1	1	1	2	
<b>2.341</b> – Skin Tone Code	No	A	3	3	1	1	2.341:MBR<GS>
<b>2.342</b> – Driver's License Number	No	AN	1	20	1	1	2.342:Z00016496227<GS>
<b>2.343</b> – State Issuing Driver's License	No	A	2	2	1	1	2.343:IL<GS>
<b>2.344</b> – Arrest Charge Segment	Yes				1	999	2.344:1<US>720 ILCS 5.0/24-1.6-A-1<US><US>O<US>4<US>N<US>20140702<US>2<US><US><RS>625 ILCS 5.0/6-101<US><US>O<US>B<US>N<US>20140702<US><US><US><GS>

Field Tag and Name	Required?	Type	Size		Occurrence		Sample
			Min	Max	Min	Max	
Charge Number	Yes	N	1	4	1	999	
Charge statute citation	Yes	ANS	1	40	1	999	
AOIC Offense Code Number	Yes	ANS	7	7	1	999	
Inchoate Offense Code	Yes	A	1	1	1	999	
Charge Penalty Class	Yes	AN	1	1	1	999	
Domestic Violence Indicator	Yes	A	1	1	1	999	
Date of Offense	No	N	8	8	1	999	
Arrest Type	No	A	1	1	1	999	
County Issuing Warrant	No	N	3	3	1	999	
Court Case Number	No	ANS	1	18	1	999	
<b>2.346</b> – Chicago IR Number	No	AN	3	12	1	1	2.346:000000001<GS>
<b>2.347</b> – IDOC Number	No	AN	4	6	1	1	2.347:B12345<GS>
<b>2.348</b> – County of Prosecution	No	N	3	3	1	1	2.348:016<GS>
<b>2.349</b> – Minor by Court Order	No	N	1	1	1	1	2.349:1<GS>
<b>2.350</b> – Post Sentence Fingerprints	No	A	1	1	1	1	2.350:Y<GS>
<b>2.353</b> – Basis for Caution	No	A	1	20	1	1	2.353:ESCAPE<GS>
<b>2.354</b> – FBI Response Needed	Yes	A	1	1	1	1	2.354:N<GS>
<b>2.355</b> – Send ISP Rap Sheet to NCIC Number	No	AN	9	9	1	1	2.355:ILORI0000<GS>
<b>2.366</b> – Employer and Address Segment	No	ANS			1	1	2.366:ACME<US>1234 MAIN STREET<US>ANYTOWN<US>IL<US>12345<GS>
Employer Name	No	ANS	1	40	1	1	

Field Tag and Name	Required?	Type	Size		Occurrence		Sample
			Min	Max	Min	Max	
Street Address	No	ANS	1	60	1	1	
City	No	A	1	40	1	1	
State	No	A	2	2	1	1	
Zip Code	No	N	5	9	1	1	
<b>2.367</b> – Residence of Person Fingerprinted	No	ANS			1	1	2.367:8910 S ANYSTREET AVE- <US>CHICAGO<US>IL <US>60617<GS>
Street Address	No	ANS	1	60	1	1	
City	No	A	1	40	1	1	
State	No	A	2	2	1	1	
Zip Code	No	N	5	9	1	1	
<b>2.368</b> – FOID Number	No	N	8	8	1	1	2.368:12345<GS>
<b>2.369</b> – Arresting Officer Badge Number	No	ANS	1	10	1	1	2.369:12345<GS>
<b>2.370</b> – Date of Bond	No	N	8	8	1	1	2.370:20140101<GS>
<b>2.371</b> – Bond Receipt Number	No	ANS	1	7	1	1	2.371:B12345<GS>
<b>2.372</b> – Bond Amount	No	N	1	9	1	1	2.372:100000<GS>
<b>2.373</b> – Cash Bond Deposited	No	N	1	9	1	1	2.373:10000<GS>
<b>2.374</b> – Bond Type Posted	No	N	2	2	1	7	2.374:01<GS>
<b>2.375</b> – Released Without Charging Indicator	No	A	1	1	1	1	2.375:Y<GS>

## APPENDIX E - TYPE 2 RECORD FORMAT FOR CRIMINAL JUSTICE APPLICANTS

Type legend: A = Alphabetic, N = Numeric, S = Symbol

Field Tag and Name	Required?	Type	Size		Occurrence		Sample
			Min	Max	Min	Max	
<b>2.001</b> – Logical Record Length	Yes	N	2	6	1	1	2.001:532<GS>
<b>2.002</b> – Image Designation Character	Yes	N	2	2	1	1	2.002:00<GS>
<b>2.006</b> – Attention Indicator	No	ANS	3	30	1	1	2.006:JOHN DOE <GS>
<b>2.007</b> – Send Copy To	No	AN	9	19			2.007:ILSAMPLE1<GS>
<b>2.014</b> – FNU (FBI Number)	No	AN	1	9			2.014:62760NY12<GS>
<b>2.015</b> – State Identification Number (SID)	No	AN	3	10			2.015:IL00002710<GS>
<b>2.016</b> – Social Security Number	No	N	9	9			2.016:220565855<GS>
<b>2.017</b> – Miscellaneous Identification Number	No	ANS	4	15	1	4	2.017:PP-1234567890P<GS>
<b>2.018</b> – Name	Yes	AS	3	30	1	1	2.018:DOE, JOHN<GS>
<b>2.019</b> – Aliases	No	AS	3	30	1	10	2.019:DOE, JON<GS>
<b>2.020</b> – Place of Birth	Yes	A	2	2	1	1	2.020:IL<GS>
<b>2.021</b> – Country of Citizenship	No	A	2	2	1	1	2.021:US<GS>
<b>2.025</b> – Race	Yes	A	1	1	1	1	2.025:W<GS>
<b>2.026</b> – Scars, Marks, and Tattoos	No	AS	3	10	1	10	2.026:TAT ARM<GS>
<b>2.027</b> – Height	Yes	N	2	3	1	1	2.027:601<GS>
<b>2.029</b> – Weight	Yes	N	3	3	1	1	2.029:185<GS>
<b>2.031</b> – Eye Color	Yes	A	3	3	1	1	2.031:BLU<GS>
<b>2.032</b> – Hair Color	Yes	A	3	3	1	1	2.032:BRO<GS>
<b>2.036</b> – Photo Available Indicator	No	A	1	1	1	1	2.036:Y<GS>
<b>2.038</b> – Date Printed	Yes	N	8	8	1	1	2.038:20140115<GS>

Field Tag and Name	Required?	Type	Size		Occurrence		Sample
			Min	Max	Min	Max	
<b>2.040</b> – Occupation	No	ANS	1	50	1	1	2.040:PLUMBER<GS>
<b>2.067</b> – Image Capture Equipment Set	No	AN	12	97	1	1	2.067:DBI<US>1134<US>12345<GS>
Originating Fingerprint Reading System Make		ANS	1	25	1	1	
Originating Fingerprint Reading System Model		ANS	1	25	1	1	
Originating Fingerprint Reading System Serial Number		ANS	1	50	1	1	
<b>2.070</b> – Request for FBI Electronic Rap Sheet	No	A	1	1	1	1	
<b>2.084</b> – Amputated or Bandaged Set	No	AN	2	2	1	13	2.084:03<US>XX<RS>09<US>UP<GS>
Finger Number	No	N	2	2			
Amputated or Bandaged Code	No	A	2	2			
<b>2.310</b> – Input Source ID	No	AN	8	8	1	1	
<b>2.311</b> – Record Format Source Code	Yes	AN	4	4	1	1	2.311:TYP2<GS>
<b>2.312</b> – Submission Type Code	Yes	A	2	5	1	1	2.312:APP<GS>
<b>2.313</b> – Transaction Action Code	Yes	A	1	1	1	1	2.313:A<GS>
<b>2.314</b> – Document Control Number	Yes	AN	9	9	1	1	2.314:L12345678<GS>
<b>2.315</b> – Agency NCIC Number	Yes	AN	9	9	1	1	2.315:IL0998900<GS>
<b>2.319</b> – Date of Birth	Yes	N	8	8	1	1	2.319:19900831<GS>
<b>2.320</b> – Sex	Yes	A	1	1	1	1	2.320:F<GS>

Field Tag and Name	Required?	Type	Size		Occurrence		Sample
			Min	Max	Min	Max	
<b>2.341</b> – Skin Tone Code	No	A	3	3	1	1	2.341:MBR<GS>
<b>2.342</b> – Driver’s License Number	No	AN	1	20	1	1	2.342:Z00016496227<GS>
<b>2.343</b> – State Issuing Driver’s License	No	A	2	2	1	1	2.343:IL<GS>
<b>2.354</b> – FBI Response Needed	Yes	A	1	1	1	1	2.354:N<GS>
<b>2.366</b> – Employer and Address Segment	No	ANS			1	1	2.366:ACME<US>1234 MAIN STREET<US>ANYTOWN<US>IL<US>12345<GS>
Employer Name	No	ANS	1	40	1	1	
Street Address	No	ANS	1	60	1	1	
City	No	A	1	40	1	1	
State	No	A	2	2	1	1	
Zip Code	No	N	5	9	1	1	
<b>2.367</b> – Residence of Person Fingerprinted	No	ANS			1	1	2.367:8910 S ANYSTREET AVE-<US>CHICAGO<US>IL<US>60617<GS>
Street Address	No	ANS	1	60	1	1	
City	No	A	1	40	1	1	
State	No	A	2	2	1	1	
Zip Code	No	N	5	9	1	1	
<b>2.378</b> – Purpose for Applicant Fingerprint Submission	Yes	A	3	3	1	20	2.378:CJE<GS>
<b>2.379</b> – Certificate/ License Number	No	ANS	1	15	1	1	2.379:123456789<GS>
<b>2.383</b> – Send to FBI	Yes	A	1	1	1	1	2.383:Y<GS>

## APPENDIX F - TYPE 2 RECORD FORMAT FOR CUSTODIAL RECEIPT

Type legend: A = Alphabetic, N = Numeric, S = Symbol

Field Tag and Name	Required?	Type	Size		Occurrence		Sample
			Min	Max	Min	Max	
<b>2.001</b> – Logical Record Length	Yes	N	2	6	1	1	2.001:532<GS>
<b>2.002</b> – Image Designation Character	Yes	N	2	2	1	1	2.002:00<GS>
<b>2.006</b> – Attention Indicator	No	ANS	3	30	1	1	2.006:JOHN DOE <GS>
<b>2.007</b> – Send Copy To	No	AN	9	19	1	1	2.007:ILSAMPLE1<GS>
<b>2.014</b> – FNU (FBI Number)	No	AN	1	9	1	1	2.014:62760NY12<GS>
<b>2.015</b> – State Identification Number (SID)	No	AN	3	10	1	1	2.015:IL00002710<GS>
<b>2.016</b> – Social Security Number	No	N	9	9			2.016:220565855<GS>
<b>2.017</b> – Miscellaneous Identification Number	No	ANS	4	15	1	4	2.017:PP-1234567890P<GS>
<b>2.018</b> – Name	Yes	AS	3	30	1	1	2.018:DOE, JOHN<GS>
<b>2.019</b> – Aliases	No	AS	3	30	1	10	2.019:DOE, JON<GS>
<b>2.020</b> – Place of Birth	Yes	A	2	2	1	1	2.020:IL<GS>
<b>2.021</b> – Country of Citizenship	No	A	2	2	1	1	2.021:US<GS>
<b>2.025</b> – Race	Yes	A	1	1	1	1	2.025:W<GS>
<b>2.026</b> – Scars, Marks, and Tattoos	No	AS	3	10	1	10	2.026:TAT ARM<GS>
<b>2.027</b> – Height	Yes	N	2	3	1	1	2.027:601<GS>
<b>2.029</b> – Weight	Yes	N	3	3	1	1	2.029:185<GS>
<b>2.031</b> – Eye Color	Yes	A	3	3	1	1	2.031:BLU<GS>
<b>2.032</b> – Hair Color	Yes	A	3	3	1	1	2.032:BRO<GS>
<b>2.035</b> – Palm Prints Available Indicator	No	A	1	1	1	1	2.035:Y<GS>
<b>2.036</b> – Photo Available Indicator	No	A	1	1	1	1	2.036:Y<GS>



Field Tag and Name	Required?	Type	Size		Occurrence		Sample
			Min	Max	Min	Max	
<b>2.038</b> – Date Printed	Yes	N	8	8	1	1	2.038:20140115<GS>
<b>2.040</b> – Occupation	No	ANS	1	50	1	1	2.040:PLUMBER<GS>
<b>2.045</b> – Date of Arrest/Received	Yes	N	8	8	1	1	2.045:20140115<GS>
<b>2.067</b> – Image Capture Equipment Set	No	AN	12	97	1	1	2.067:DBI<US>1134<US>12345<GS>
Originating Fingerprint Reading System Make		ANS	1	25	1	1	
Originating Fingerprint Reading System Model		ANS	1	25	1	1	
Originating Fingerprint Reading System Serial Number		ANS	1	50	1	1	
<b>2.070</b> – Request for FBI Electronic Rap Sheet	No	A	1	1	1	1	2.070:Y<GS>
<b>2.073</b> – Controlling Agency Identifier	No	AN	9	9	1	1	2.073:IL0999900<GS>
<b>2.084</b> – Amputated or Bandaged Set	No	AN	2	2	1	13	2.084:03<US>XX<RS>09<US>UP<GS>
Finger Number	No	N	2	2			
Amputated or Bandaged Code	No	A	2	2			
<b>2.310</b> – Input Source ID	No	AN	8	8	1	1	
<b>2.311</b> – Record Format Source Code	Yes	AN	4	4	1	1	2.311:TYP2<GS>
<b>2.312</b> – Submission Type Code	Yes	A	2	5	1	1	2.312:CUR<GS>
<b>2.313</b> – Transaction Action Code	Yes	A	1	1	1	1	2.313:A<GS>

Field Tag and Name	Required?	Type	Size		Occurrence		Sample
			Min	Max	Min	Max	
<b>2.314</b> – Document Control Number	Yes	AN	9	9	1	1	2.314:L12345678<GS>
<b>2.315</b> – Agency NCIC Number	Yes	AN	9	9	1	1	2.315:IL0998900<GS>
<b>2.319</b> – Date of Birth	Yes	N	8	8	1	1	2.319:19900831<GS>
<b>2.320</b> – Sex	Yes	A	1	1	1	1	2.320:F<GS>
<b>2.330</b> – Sentence Segment	Yes <sup>1</sup>				1	99	2.330:1<US>202<US> 00000180<US><US><US><US><US><US><US><US>1<US>20140627
Charge Number	Yes	N	1	4	1	99	
Sentence Type Code	Yes	N	3	3	1	99	
Sentence Length	Yes <sup>2</sup>	N	8	8	1	99	
DOC Minimum Time	No	N	8	8	1	99	
DOC Maximum Time	Yes <sup>2</sup>	N	8	8	1	99	
Public Service Hours	Yes <sup>2</sup>	N	1	4	1	99	
Fine Amount	Yes <sup>2</sup>	N	9	9	1	99	
Cost Amount	Yes <sup>2</sup>	N	9	9	1	99	
Restitution Amount	Yes <sup>2</sup>	N	9	9	1	99	
Sentence Status Code	Yes	N	1	1	1	99	
Sentence Date	No	N	8	8	1	99	
<b>2.341</b> – Skin Tone Code	No	A	3	3	1	1	
<b>2.342</b> – Driver's License Number	No	AN	1	20	1	1	2.342:Z00016496227<GS>
<b>2.343</b> – State Issuing Driver's License	No	A	2	2	1	1	2.343:IL<GS>
<b>2.345</b> – Court Charge Segment	Yes <sup>1</sup>					999	2.345:1<US>625 ILCS 5.0/11-204.1-A<US><US>O<US>4<US>019<US>101<US><GS>□

Field Tag and Name	Required?	Type	Size		Occurrence		Sample
			Min	Max	Min	Max	
Charge Number	Yes	N	1	4	1	999	
Charge Statute Citation	Yes	ANS	1	40	1	999	
AOIC Offense Code Number	Yes	AN	7	7	1	999	
Inchoate Offense Code	No	A	1	1	1	999	
Charge Penalty Class	No	AN	1	1	1	999	
County Code	Yes	N	3	3	1		
Court Case Number	No	ANS		18	1		
Charge Disposition	Yes	N	3	3	1		
Charge Disposition Date	Yes	N	8	8	1		
<b>2.346</b> – Chicago IR Number	No	AN	3	12	1	1	2.346:000000001<GS>
<b>2.347</b> – IDOC Number	No	AN	4	6	1	1	2.347:B12345<GS>
<b>2.351</b> – ISP Retention Code	No	A	1	1	1	1	2.351:R<GS>
<b>2.354</b> – FBI Response Needed	Yes	A	1	1	1	1	2.354:N<GS>
<b>2.356</b> – ORI of Agency From Whom Subject Received	Yes	AN	9	9	1	1	2.356:ILORI0000<GS>
<b>2.358</b> – Booking Number	No	ANS	1	12	1	1	2.358:123456<GS>
<b>2.359</b> – Custodial Status Code	Yes	N	3	3	1	1	2.359:421<GS>
<b>2.360</b> – Custodial Status Date	Yes	N	8	8	1	1	2.360:20140806<GS>
<b>2.366</b> – Employer and Address Segment	No	ANS			1	1	2.366:ACME<US>1234 MAIN STREET<US>ANYTOWN<US>IL<US>12345<GS>
Employer Name	No	ANS	1	40	1	1	
Street Address	No	ANS	1	60	1	1	
City	No	A	1	40	1	1	
State	No	A	2	2	1	1	
Zip Code	No	N	5	9	1	1	

Field Tag and Name	Required?	Type	Size		Occurrence		Sample
			Min	Max	Min	Max	
<b>2.367</b> – Residence of Person Fingerprinted	No	ANS			1	1	2.367:8910 S ANYSTREET AVE- <US>CHICAGO<US>IL <US>60617<GS>
Street Address	No	ANS	1	60	1	1	
City	No	A	1	40	1	1	
State	No	A	2	2	1	1	
Zip Code	No	N	5	9	1	1	
<b>2.376</b> – Sexually Dangerous Indicator	No <sup>1</sup>	A	1	1	1	1	2.376:Y<GS>
<b>2.377</b> – INS Number	No	ANS	1	10	1	1	2.377:AB-12345<GS>

<sup>1</sup> Either 2.330 (sentence segment) and 2.345 (court charge segment) must be entered or 2.376 (Sexually dangerous indicator) must be entered for each record.

<sup>2</sup> One and only one of these fields are required for each Sentence Segment.

## APPENDIX G - TYPE 2 RECORD FORMAT FOR FEE APPLICANTS

Type legend: A = Alphabetic, N = Numeric, S = Symbol

Field Tag and Name	Required?	Type	Size		Occurrence		Sample
			Min	Max	Min	Max	
<b>2.001</b> – Logical Record Length	Yes	N	2	6	1	1	2.001:532<GS>
<b>2.002</b> – Image Designation Character	Yes	N	2	2	1	1	2.002:00<GS>
<b>2.006</b> – Attention Indicator	No	ANS	3	30	1	1	2.006:JOHN DOE <GS>
<b>2.007</b> – Send Copy To	No	AN	9	19			2.007:ILSAMPLE1<GS>
<b>2.014</b> – FNU (FBI Number)	No	AN	1	9			2.014:62760NY12<GS>
<b>2.015</b> – State Identification Number (SID)	No	AN	3	10			2.015:IL00002710<GS>
<b>2.016</b> – Social Security Number	No	N	9	9			2.016:220565855<GS>
<b>2.017</b> – Miscellaneous Identification Number	No	ANS	4	15	1	4	2.017:PP-1234567890P<GS>
<b>2.018</b> – Name	Yes	AS	3	30	1	1	2.018:DOE, JOHN<GS>
<b>2.019</b> – Aliases	No	AS	3	30	1	10	2.019:DOE, JON<GS>
<b>2.020</b> – Place of Birth	Yes	A	2	2	1	1	2.020:IL<GS>
<b>2.021</b> – Country of Citizenship	No	A	2	2	1	1	2.021:US<GS>
<b>2.025</b> – Race	Yes	A	1	1	1	1	2.025:W<GS>
<b>2.026</b> – Scars, Marks, and Tattoos	No	AS	3	10	1	10	2.026:TAT ARM<GS>
<b>2.027</b> – Height	Yes	N	2	3	1	1	2.027:601<GS>
<b>2.029</b> – Weight	Yes	N	3	3	1	1	2.029:185<GS>
<b>2.031</b> – Eye Color	Yes	A	3	3	1	1	2.031:BLU<GS>
<b>2.032</b> – Hair Color	Yes	A	3	3	1	1	2.032:BRO<GS>
<b>2.036</b> – Photo Available Indicator	No	A	1	1	1	1	2.036:Y<GS>
<b>2.038</b> – Date Printed	Yes	N	8	8	1	1	2.038:20140115<GS>
<b>2.040</b> – Occupation	No	ANS	1	50	1	1	2.040:PLUMBER<GS>

Field Tag and Name	Required?	Type	Size		Occurrence		Sample
			Min	Max	Min	Max	
<b>2.067</b> – Image Capture Equipment Set	No	AN	12	97	1	1	2.067:DBI<US>1134<US>12345<GS>
Originating Fingerprint Reading System Make		ANS	1	25	1	1	
Originating Fingerprint Reading System Model		ANS	1	25	1	1	
Originating Fingerprint Reading System Serial Number		ANS	1	50	1	1	
<b>2.070</b> – Request for FBI Electronic Rap Sheet	No	A	1	1	1	1	2.070:Y<GS>
<b>2.084</b> – Amputated or Bandaged Set	No	AN	2	2	1	13	2.084:03<US>XX<RS>09<US>UP<GS>
Finger Number	No	N	2	2			
Amputated or Bandaged Code	No	A	2	2			
<b>2.310</b> – Input Source ID	No	AN	8	8	1	1	
<b>2.311</b> – Record Format Source Code	Yes	AN	4	4	1	1	2.311:TYP2<GS>
<b>2.312</b> – Submission Type Code	Yes	A	2	5	1	1	2.312:FEAPP<GS>
<b>2.313</b> – Transaction Action Code	Yes	A	1	1	1	1	2.313:A<GS>
<b>2.314</b> – Document Control Number	Yes	AN	9	9	1	1	2.314:L12345678<GS>
<b>2.315</b> – Agency NCIC Number	Yes	AN	9	9	1	1	2.315:IL0998900<GS>
<b>2.319</b> – Date of Birth	Yes	N	8	8	1	1	2.319:19900831<GS>
<b>2.320</b> – Sex	Yes	A	1	1	1	1	2.320:F<GS>
<b>2.341</b> – Skin Tone Code	No	A	3	3	1	1	2.341:MBR<GS>

Field Tag and Name	Required?	Type	Size		Occurrence		Sample
			Min	Max	Min	Max	
<b>2.342</b> – Driver's License Number	No	AN	1	20	1	1	2.342:Z00016496227<GS>
<b>2.343</b> – State Issuing Driver's License	No	A	2	2	1	1	2.343:IL<GS>
<b>2.354</b> – FBI Response Needed	Yes	A	1	1	1	1	2.354:N<GS>
<b>2.355</b> – Send ISP Rap Sheet to NCIC Number	No	AN	9	9	1	1	2.355:ILORI0000<GS>
<b>2.366</b> – Employer and Address Segment	No	ANS			1	1	2.366:ACME<US>1234 MAIN STREET<US>ANYTOWN<US>IL<US>12345<GS>
Employer Name	No	ANS	1	40	1	1	
Street Address	No	ANS	1	60	1	1	
City	No	A	1	40	1	1	
State	No	A	2	2	1	1	
Zip Code	No	N	5	9	1	1	
<b>2.378</b> – Purpose for Applicant Fingerprint Submission	Yes	A	3	3	1	20	2.378:CJE<GS>
<b>2.379</b> – Certificate/ License Number	No	ANS	1	15	1	1	2.379:123456789<GS>
<b>2.380</b> – Cost Center	Yes	N	3	5	1	1	2.380:1234<GS>
<b>2.383</b> – Send to FBI	Yes	A	1	1	1	1	2.383:Y<GS>

**Photo Requirement**

Effective January 1, 2014, all Fee Applicant transactions **must** contain a Type 10 (photograph) record.

## APPENDIX H - TYPE 2 RECORD FORMAT FOR FINGERPRINT INQUIRY

Type legend: A = Alphabetic, N = Numeric, S = Symbol

Field Tag and Name	Required?	Type	Size		Occurrence		Sample
			Min	Max	Min	Max	
<b>2.001</b> – Logical Record Length	Yes	N	2	6	1	1	2.001:532<GS>
<b>2.002</b> – Image Designation Character	Yes	N	2	2	1	1	2.002:00<GS>
<b>2.006</b> – Attention Indicator	No	ANS	3	30	1	1	2.006:JOHN DOE <GS>
<b>2.014</b> – FNU (FBI Number)	No	AN	1	9			2.014:62760NY12<GS>
<b>2.015</b> – State Identification Number (SID)	No	AN	3	10			2.015:IL00002710<GS>
<b>2.016</b> – Social Security Number	No	N	9	9			2.016:220565855<GS>
<b>2.018</b> – Name	Yes	AS	3	30	1	1	2.018:DOE, JOHN<GS>
<b>2.019</b> – Aliases	No	AS	3	30	1	10	2.019:DOE, JON<GS>
<b>2.025</b> – Race	Yes	A	1	1	1	1	2.025:W<GS>
<b>2.038</b> – Date Printed	Yes	N	8	8	1	1	2.038:20140115<GS>
<b>2.067</b> – Image Capture Equipment Set	No	AN	12	97	1	1	2.067:DBI<US>1134<US>12345<GS>
Originating Fingerprint Reading System Make		ANS	1	25	1	1	
Originating Fingerprint Reading System Model		ANS	1	25	1	1	
Originating Fingerprint Reading System Serial Number		ANS	1	50	1	1	
<b>2.084</b> – Amputated or Bandaged Set	No	AN	2	2	1	13	2.084:03<US>XX<RS>09<US>UP<GS>
Finger Number	No	N	2	2			



Field Tag and Name	Required?	Type	Size		Occurrence		Sample
			Min	Max	Min	Max	
Amputated or Bandaged Code	No	A	2	2			
<b>2.310</b> – Input Source ID	No	AN	8	8	1	1	
<b>2.311</b> – Record Format Source Code	Yes	AN	4	4	1	1	2.311:TYP2<GS>
<b>2.312</b> – Submission Type Code	Yes	A	2	5	1	1	2.312:FPINQ<GS>
<b>2.313</b> – Transaction Action Code	Yes	A	1	1	1	1	2.313:A<GS>
<b>2.315</b> – Agency NCIC Number	Yes	AN	9	9	1	1	2.315:IL0998900<GS>
<b>2.319</b> – Date of Birth	Yes	N	8	8	1	1	2.319:19900831<GS>
<b>2.320</b> – Sex	Yes	A	1	1	1	1	2.320:F<GS>
<b>2.342</b> – Driver's License Number	No	AN	1	20	1	1	2.342:Z00016496227<GS>
<b>2.343</b> – State Issuing Driver's License	No	A	2	2	1	1	2.343:IL<GS>
<b>2.346</b> – Chicago IR Number	No	AN	3	12	1	1	2.346:000000001<GS>
<b>2.383</b> – Send to FBI	Yes	A	1	1	1	1	2.383:Y<GS>

## APPENDIX I - TYPE 2 RECORD FORMAT FOR UCIA FINGERPRINT SUBMISSIONS

Type legend: A = Alphabetic, N = Numeric, S = Symbol

Field Tag and Name	Required?	Type	Size		Occurrence		Sample
			Min	Max	Min	Max	
<b>2.001</b> – Logical Record Length	Yes	N	2	6	1	1	2.001:532<GS>
<b>2.002</b> – Image Designation Character	Yes	N	2	2	1	1	2.002:00<GS>
<b>2.018</b> – Name	Yes	AS	3	30	1	1	2.018:DOE, JOHN<GS>
<b>2.025</b> – Race	Yes	A	1	1	1	1	2.025:W<GS>
<b>2.038</b> – Date Printed	Yes	N	8	8	1	1	2.038:20140115<GS>
<b>2.067</b> – Image Capture Equipment Set	No	AN	12	97	1	1	2.067:DBI<US>1134<US>12345<GS>
Originating Fingerprint Reading System Make		ANS	1	25	1	1	
Originating Fingerprint Reading System Model		ANS	1	25	1	1	
Originating Fingerprint Reading System Serial Number		ANS	1	50	1	1	
<b>2.084</b> – Amputated or Bandaged Set	No	AN	2	2	1	13	2.084:03<US>XX<RS>09<US>UP<GS>
Finger Number	No	N	2	2			
Amputated or Bandaged Code	No	A	2	2			
<b>2.310</b> – Input Source ID	No	AN	8	8	1	1	
<b>2.311</b> – Record Format Source Code	Yes	AN	4	4	1	1	2.311:TYP2<GS>
<b>2.312</b> – Submission Type Code	Yes	A	2	5	1	1	2.312:UCIAF<GS>

Field Tag and Name	Required?	Type	Size		Occurrence		Sample
			Min	Max	Min	Max	
<b>2.313</b> – Transaction Action Code	Yes	A	1	1	1	1	2.313:A<GS>
<b>2.314</b> – Document Control Number	Yes	AN	9	9	1	1	2.314:L12345678<GS>
<b>2.315</b> – Agency NCIC Number	Yes	AN	9	9	1	1	2.315:ILLUFP000<GS>
<b>2.319</b> – Date of Birth	Yes	N	8	8	1	1	2.319:19900831<GS>
<b>2.320</b> – Sex	Yes	A	1	1	1	1	2.320:F<GS>
<b>2.380</b> – Cost Center	Yes	N	3	5	1	1	2.380:1234<GS>
<b>2.381</b> – Requestor Segment	No <sup>1</sup>	AN			1	1	2.381:DOE, JOHN <US>JUSTICE LEAGUE<US> 1234 MAIN STREET<US> ANYTOWN<US>IL<US> 20009<GS>
Requestor Name	Yes <sup>1</sup>	AN	3	30	1	1	
Agency Name	Yes <sup>1</sup>	AN	3	25	1	1	
Street Address	Yes	ANS	1	60	1	1	
City	Yes	A	1	40	1	1	
State	Yes	A	2	2	1	1	
Zip Code	No	N	5	9	1	1	
Foreign Postal Code	No	ANS	1	6	1	1	
<b>2.382</b> – Fee Amount	Yes	N	3	5	1	1	2.382:1500<GS>
<b>2.384</b> – Licensing or Employment Purposes	No	A	1	1	1	1	2.384:Y<GS>

<sup>1</sup> If a “generic” ORI is used in the 2.315 field, the 2.381 is mandatory. When completing the subfields for this field, **either** a requester name or requester agency name **must** be provided. If an agency’s ORI is provided in the 2.315 field, these fields are not mandatory unless otherwise specified.

## APPENDIX J - TYPE 2 RECORD FORMAT FOR JUVENILE SUBMISSIONS

Type legend: A = Alphabetic, N = Numeric, S = Symbol

Field Tag and Name	Required?	Type	Size		Occurrence		Sample
			Min	Max	Min	Max	
<b>2.001</b> – Logical Record Length	Yes	N	2	6	1	1	2.001:532<GS>
<b>2.002</b> – Image Designation Character	Yes	N	2	2	1	1	2.002:00<GS>
<b>2.006</b> – Attention Indicator	No	ANS	3	30	1	1	2.006:JOHN DOE <GS>
<b>2.007</b> – Send Copy To	No	AN	9	19			2.007:ILSAMPLE1<GS>
<b>2.014</b> – FNU (FBI Number)	No	AN	1	9			2.014:62760NY12<GS>
<b>2.015</b> – State Identification Number (SID)	No	AN	3	10			2.015:IL00002710<GS>
<b>2.016</b> – Social Security Number	No	N	9	9			2.016:220565855<GS>
<b>2.017</b> – Miscellaneous Identification Number	No	ANS	4	15	1	4	2.017:PP-1234567890P<GS>
<b>2.018</b> – Name	Yes	AS	3	30	1	1	2.018:DOE, JOHN<GS>
<b>2.019</b> – Aliases	No	AS	3	30	1	10	2.019:DOE, JON<GS>
<b>2.020</b> – Place of Birth	Yes	A	2	2	1	1	2.020:IL<GS>
<b>2.021</b> – Country of Citizenship	No	A	2	2	1	1	2.021:US<GS>
<b>2.025</b> – Race	Yes	A	1	1	1	1	2.025:W<GS>
<b>2.026</b> – Scars, Marks, and Tattoos	No	AS	3	10	1	10	2.026:TAT ARM<GS>
<b>2.027</b> – Height	Yes	N	2	3	1	1	2.027:601<GS>
<b>2.029</b> – Weight	Yes	N	3	3	1	1	2.029:185<GS>
<b>2.031</b> – Eye Color	Yes	A	3	3	1	1	2.031:BLU<GS>
<b>2.032</b> – Hair Color	Yes	A	3	3	1	1	2.032:BRO<GS>
<b>2.035</b> – Palm Prints Available Indicator	No	A	1	1	1	1	2.035:Y<GS>
<b>2.036</b> – Photo Available Indicator	No	A	1	1	1	1	2.036:Y<GS>

Field Tag and Name	Required?	Type	Size		Occurrence		Sample
			Min	Max	Min	Max	
<b>2.038</b> – Date Printed	Yes	N	8	8	1	1	2.038:20140115<GS>
<b>2.040</b> – Occupation	No	ANS	1	50	1	1	2.040:PLUMBER<GS>
<b>2.045</b> – Date of Arrest/Received	Yes	N	8	8	1	1	2.045:20140115<GS>
<b>2.067</b> – Image Capture Equipment Set	No	AN	12	97	1	1	2.067:DBI<US>1134<US>12345<GS>
Originating Fingerprint Reading System Make		ANS	1	25	1	1	
Originating Fingerprint Reading System Model		ANS	1	25	1	1	
Originating Fingerprint Reading System Serial Number		ANS	1	50	1	1	
<b>2.070</b> – Request for FBI Electronic Rap Sheet	No	A	1	1	1	1	2.070:Y<GS>
<b>2.073</b> – Controlling Agency Identifier	No	AN	9	9	1	1	2.073:IL0999900<GS>
<b>2.084</b> – Amputated or Bandaged Set	No	AN	2	2	1	13	2.084:03<US>XX<RS>09<US>UP<GS>
Finger Number		No	N	2	2		
Amputated or Bandaged Code	No	A	2	2			
<b>2.310</b> – Input Source ID	No	AN	8	8	1	1	
<b>2.311</b> – Record Format Source Code	Yes	AN	4	4	1	1	2.311:TYP2<GS>
<b>2.312</b> – Submission Type Code	Yes	A	2	5	1	1	2.312:JVSBM<GS>
<b>2.313</b> – Transaction Action Code	Yes	A	1	1	1	1	2.313:A<GS>

Field Tag and Name	Required?	Type	Size		Occurrence		Sample
			Min	Max	Min	Max	
<b>2.314</b> – Document Control Number	Yes	AN	9	9	1	1	2.314:L12345678<GS>
<b>2.315</b> – Agency NCIC Number	Yes	AN	9	9	1	1	2.315:IL0998900<GS>
<b>2.319</b> – Date of Birth	Yes	N	8	8	1	1	2.319:19900831<GS>
<b>2.320</b> – Sex	Yes	A	1	1	1	1	2.320:F<GS>
<b>2.331</b> – Agency Case Number	Yes	AN	1	12	1		2.331:Z14-08427<GS>
<b>2.332</b> – Agency Case Number/ Indictment Number	No	ANS	1	12	1		2.332:20140806<GS>
<b>2.334</b> – Disposition of Arrestee Under 18	No	A	1	1	1	1	2.334:H<GS>
<b>2.337</b> – Arrestee Armed With Segment	Yes	AN			1	2	2.337:12<US>A<GS>
Weapon Type	Yes	N	2	2	1	2	
Automatic Weapon	Yes	A	1	1	1	2	
<b>2.341</b> – Skin Tone Code	No	A	3	3	1	1	2.341:MBR<GS>
<b>2.342</b> – Driver's License Number	No	AN	1	20	1	1	2.342:Z00016496227<GS>
<b>2.343</b> – State Issuing Driver's License	No	A	2	2	1	1	2.343:IL<GS>
<b>2.344</b> – Arrest Charge Segment	Yes				1	999	2.344:1<US>720 ILCS 5.0/24-1.6-A-1<US><US>O<US>4<US>N<US>20140702<US>2<US><US><RS>625 ILCS 5.0/6-101<US><US>O<US>B<US>N<US>20140702<US><US><US><GS>
Charge Number	Yes	N	1	4	1	999	
Charge statute citation	Yes	ANS	1	40	1	999	
AOIC Offense Code Number	Yes	ANS	7	7	1	999	
Inchoate Offense Code	Yes	A	1	1	1	999	
Charge Penalty Class	Yes	AN	1	1	1	999	

Field Tag and Name	Required?	Type	Size		Occurrence		Sample
			Min	Max	Min	Max	
Domestic Violence Indicator	Yes	A	1	1	1	999	
Date of Offense	No	N	8	8	1	999	
Arrest Type	No	A	1	1	1	999	
County Issuing Warrant	No	N	3	3	1	999	
Court Case Number	No	ANS	1	18	1	999	
<b>2.346</b> – Chicago IR Number	No	AN	3	12	1	1	2.346:000000001<GS>
<b>2.347</b> – IDOC Number	No	AN	4	6	1	1	2.347:B12345<GS>
<b>2.348</b> – County of Prosecution	No	N	3	3	1	1	2.348:016<GS>
<b>2.349</b> – Minor by Court Order	No	N	1	1	1	1	2.349:1<GS>
<b>2.350</b> – Post Sentence Fingerprints	No	A	1	1	1	1	2.350:Y<GS>
<b>2.353</b> – Basis for Caution	No	A	1	20	1	1	2.353:ESCAPE<GS>
<b>2.354</b> – FBI Response Needed	Yes	A	1	1	1	1	2.354:N<GS>
<b>2.355</b> – Send ISP Rap Sheet to NCIC Number	No	AN	9	9	1	1	2.355:ILORI0000<GS>
<b>2.366</b> – Employer and Address Segment	No	ANS			1	1	2.366:ACME<US>1234 MAIN STREET<US>ANYTOWN<US>IL<US>12345<GS>
Employer Name	No	ANS	1	40	1	1	
Street Address	No	ANS	1	60	1	1	
City	No	A	1	40	1	1	
State	No	A	2	2	1	1	
Zip Code	No	N	5	9	1	1	
<b>2.367</b> – Residence of Person Fingerprinted	No	ANS			1	1	2.367:8910 S ANYSTREET AVE-<US>CHICAGO<US>IL<US>60617<GS>
Street Address	No	ANS	1	60	1	1	
City	No	A	1	40	1	1	

Field Tag and Name	Required?	Type	Size		Occurrence		Sample
			Min	Max	Min	Max	
State	No	A	2	2	1	1	
Zip Code	No	N	5	9	1	1	
<b>2.368</b> – FOID Number	No	N	8	8	1	1	2.368:12345<GS>
<b>2.369</b> – Arresting Officer Badge Number	No	ANS	1	10	1	1	2.369:12345<GS>
<b>2.370</b> – Date of Bond	No	N	8	8	1	1	2.370:20140101<GS>
<b>2.371</b> – Bond Receipt Number	No	ANS	1	7	1	1	2.371:B12345<GS>
<b>2.372</b> – Bond Amount	No	N	1	9	1	1	2.372:100000<GS>
<b>2.373</b> – Cash Bond Deposited	No	N	1	9	1	1	2.373:10000<GS>
<b>2.374</b> – Bond Type Posted	No	N	2	2	1	7	2.374:01<GS>
<b>2.385</b> – Arrest Disposition Code	No	A	1	1	1	1	2.385:F<GS>
<b>2.386</b> – Employer Phone Number	No	N	10	10	1	1	2.386:8155555555<GS>
<b>2.387</b> – School Name	No	ANS	5	40	1	1	2.387:ANYTOWN HIGH SCHOOL<GS>
<b>2.388</b> – Time of Arrest	No	N	4	4	1	1	2.388:1430<GS>
<b>2.389</b> – Parent/ Legal Guardian Name	No	AS	3	30	1	1	2.389:DOE, JANE<GS>
<b>2.390</b> – Adjustment Term/Sentence Set	No				1	12	2.390:O<US>3 MONTHS OF RULES<GS>
Adjustment Term	No	A	1	1	1	12	
Adjustment Sentence	No	ANS	1	50	1	12	
<b>2.391</b> – Probation Notification Set	No				1	1	2.391:Y<US>ILORI0000<GS>
Probation Notification	No	A	1	1	1	1	
Agency NCIC Number	No	AN	9	9	1	1	



## APPENDIX K - TYPE 10 RECORD FORMAT FOR PHOTOGRAPHS

Type legend: A = Alphabetic, N = Numeric, S = Symbol

Field Tag and Name	Required?	Type	Size		Occurrence		Sample
			Min	Max	Min	Max	
<b>10.001</b> - Logical Record Length	Yes	N	3	7	1	1	10.001:75897<GS>
<b>10.002</b> - Image Designation Character	Yes	N	1	4	1	1	10.002:15<GS>
<b>10.003</b> - Image Type	Yes <sup>1</sup>	A	4	6	1	1	10.003:FACE<GS>
<b>10.004</b> - Source Agency/ORI	Yes	AN	9	9	1	1	10.004:IL0990700<GS>
<b>10.005</b> - Photo Date	Yes	N	8	8	1	1	10.005:20141014<GS>
<b>10.006</b> - Horizontal Line Length	Yes	N	2	5	1	1	10.006:628<GS>
<b>10.007</b> - Vertical Line Length	Yes	N	2	5	1	1	10.007:476<GS>
<b>10.008</b> - Scale Units	Yes	N	1	1	1	1	10.008:1<GS>
<b>10.009</b> - Horizontal Pixel Scale	Yes	N	1	4	1	1	10.009:72<GS>
<b>10.010</b> - Vertical Pixel Scale	Yes	N	1	4	1	1	10.010:72<GS>
<b>10.011</b> - Compression Algorithm	Yes	A	4	6	1	1	10.011:JPEGB<GS>
<b>10.012</b> - Colorspace	Yes	A	3	4	1	1	10.012:YCC<GS>
<b>10.013</b> - SAP Subject Acquisition Profile	Yes	N	2	4	1	1	10.013:20<GS>
<b>10.020</b> - Subject Pose	Yes	A	1	1	1	1	10.020:F<GS>
<b>10.021</b> - Pose Offset Angle	No	N	1	4	1	1	10.021:90<GS>
<b>10.040</b> - Location	No <sup>1</sup>	A	3	10	1	3	10.040:TAT R HND<GS>
<b>10.041</b> - SMT Size	No	N			1	1	10.041:200<US>200<GS>
Height	No	N	1	3	1	1	
Width	No	N	1	3	1	1	
<b>10.042</b> - SMT Descriptors	No <sup>1</sup>						10.042:TATTOO<US>ANIMAL<US>DOG<US>BULL MASTIFF<GS>
SMT Code Indicator	No <sup>1</sup>	A	3	8	1	1	
Tattoo Class	No <sup>1</sup>	A	4	8	1	1	

Field Tag and Name	Required?	Type	Size		Occurrence		Sample
			Min	Max	Min	Max	
Tattoo Subclass	No <sup>1</sup>	A	3	9	1	1	
Tattoo Description	No <sup>1</sup>	A	1	256	1	1	
<b>10.043</b> – Tattoo Color	No	A	3	7	1	1	10.043:BROWN<GS>
<b>10.200</b> – Transaction Control Number	Yes	ANS	16	16	1	1	10.200:LS10238L57267829<GS>
<b>10.999</b> – Image Data	Yes	B	2		1	1	

## **APPENDIX L - DESCRIPTORS AND FIELD EDIT SPECIFICATIONS FOR ISP DEFINED TYPE 1 DATA FIELDS**

This appendix contains ISP specific information on descriptors and field edit specifications for the Type 1 logical records. The ANSI/NIST-CSL 1-1993 Data Format for the Interchange of Fingerprint Information, the ANSI/NIST-ITL-1-2011 Data Format for the Interchange of Fingerprint, Facial, and SMT Information, and the FBI Electronic Biometric Transmission Specification contain additional information on these descriptor and field edit specifications. Where ISP references have been used in the record layout, submissions must conform to the specifications provided in this appendix.

### **1.01 Logical Record Length**

This mandatory ASCII field shall contain the total count of the number of bytes in this Type 1 logical record. This field shall begin with "1.01:", followed by the length of the record including every character of every field contained in the record and the information separators. The number of characters added to the record by the field itself shall be included in calculating the value of field.

### **1.02 Version Number**

This mandatory four-character ASCII value shall be used to specify the current version number of the standard implemented by the software or system creating the transaction. The format of this field shall consist of four numeric characters. The first two characters shall specify the major version number. The last two characters shall be used to specify the minor revision number. This version of the standard has the entry "0500".

### **1.03 File Content**

This mandatory field shall list each of the logical records in the logical file by record type. It also specifies the order in which the remaining logical records shall appear in the logical file. It shall consist of two or more subfields. Each subfield shall contain two information items describing a single logical record found in the current logical file. The subfields shall be entered in the same order in which the logical records shall be transmitted. When more than one subfield is used, the RS separator character shall be entered between the subfields. With the addition of the Type-10 record, the first information item of each subfield may now be a one- or two-digit integer (giving the logical record type.) The remaining edit specifications pertaining to CNT are unchanged.

- The first information item within this subfield (first record category code/FRC) shall be "1". This indicates that the first record in the transaction is a Type-1 Record consisting of header information.
- The second information item of this subfield shall be the sum of the Type-2 through Type-99 records contained in this transaction. The

maximum value for is 999.

The remaining subfields of Field 1.03 pertaining to Type-2, Type-3, Type-4, Type-5, Type-6, Type-7, Type-8, Type-9, Type-10, Type-13, Type-14, Type-17, and Type-99 records contained in the file shall each be composed of two information items. The first information item shall be one or two characters chosen from the ANSI/NIST-ITL Standard Table 3, which states the record type. The second information item shall be the Information Designation Character (IDC) associated with the logical record pertaining to that subfield. The IDC shall be a positive integer equal to or greater than zero. The US character shall be used to separate the two information items. (Only Type-1, Type-2, Type-4, Type-7, Type-9, Type-10, Type-13, Type-14, Type-15, Type-16 Type-17, and Type-99 records will be accepted by the FBI.)

**1.04 Type of Transaction**

This mandatory field shall contain an identifier, designating the type of transaction and subsequent processing that this logical file should be given. Valid values are:

<b>Transaction Type</b>	<b>Code</b>
Access and Review	RAR
Arrest	ARR
Criminal Justice Applicant	APP
Custodial Receive	CUR
Fee Applicant	FAP
Fingerprint Inquiry	FPQ
Juvenile Arrest	JUV
UCIA Fingerprint	UFP

The Type of Transaction will additionally contain a "T" to indicate test record as the last position of the field (e.g., ARRT).

**1.05 Date**

This mandatory field shall contain the date that the transaction was submitted. The date shall appear as eight digits in the format CCYYMMDD. The CCYY characters shall represent the year of the transaction; the MM characters shall be the tens and units values of the month; and the DD characters shall be the day in the month. For example, 19920601 represents June 1, 1992. The complete date shall not exceed the current date.

**1.06 Priority**

When this field is used, it shall contain a single information character to designate the urgency with which a response is desired. The values shall range from 1 to 4, with "1" denoting the highest priority. The default value shall be "4" if no value is indicated.

**1.07 Destination Agency Identifier**

This field shall contain the identifier of the organization designated to receive

the transmission. The value for this field for fingerprint submissions to ISP shall be "IL0998900".

**1.08 Originating Agency Identifier**

This field shall contain the ORI of the originating agency as assigned by NCIC or ISP.

**1.09 Transaction Control Number**

This mandatory field shall contain the Transaction Control Number as assigned by the originating agency. A unique control number shall be assigned to each transaction. For any transaction that requires a response, the respondent shall refer to this number in communicating with the originating agency. This field shall be a sixteen byte alphanumeric-special (ANS) field.

The format of the transaction control number is TTTDDDDSSSSSSSSSS, where TTT is the ISP assigned device type, DDDD is the ISP assigned device number and SSSSSSSSS is the sequence number assigned to the transaction by the transaction originator.

**1.10 Transaction Control Reference Number**

This field shall be used in responses only to refer to the Transaction Control Number of a previous transaction involving an inquiry or other action that required a response. This field is mandatory for such responses. This field shall be a sixteen byte alphanumeric-special (ANS) field.

The format of the transaction control number is TTTDDDDSSSSSSSSSS, where TTT is the ISP assigned device type, DDDD is the ISP assigned device number and SSSSSSSSS is the sequence number assigned to the transaction by the transaction originator.

**1.11 Native Scanning Resolution**

This field shall specify the nominal scanning resolution of the image capture device. The specifications contained in the FBI EBTS shall apply when fingerprints are included in the transmission. The value of 00.00 may be used when fingerprints are not included.

**1.12 Nominal Transmitting Resolution**

This field shall specify the nominal transmitting resolution of the Type 4 or Type 7 records being transmitted. The specifications contained in the FBI EBTS shall apply when fingerprints are included in the transmission. This field shall contain five bytes specifying the transmitting resolution in pixels per millimeter. The resolution shall be expressed as two numeric characters followed by a decimal point and two more numeric characters (e.g. 19.69). For Type 4 records, the transmitting resolution shall be 495 – 505 ppi (500+-1%); for Type 7 records, the transmitting resolution shall either be 495 –

505ppi (500%-1%) or 990-1010 ppi (1000+-1%). For transactions that do not contain Type 3 through Type 7 fingerprint image records, this field shall be set to "00.00". A single transaction can only contain multiple Type 4 and/or Type 7 records if all images have the same resolution.

## **APPENDIX M - DESCRIPTORS AND FIELD EDIT SPECIFICATIONS FOR ISP DEFINED TYPE 2 DATA FIELDS**

This appendix contains ISP specific information on descriptors and field edit specifications for the Type 2 logical records. The ANSI/NIST-CSL 1-1993 Data Format for the Interchange of Fingerprint Information, the ANSI/NIST-ITL-1-2011 Data Format for the Interchange of Fingerprint, Facial, and SMT Information, and the FBI Electronic Biometric Transmission Specification contain additional information on these descriptor and field edit specifications. Where ISP references have been used in the record layout, submissions must conform to the specifications provided in this appendix.

### **2.001 Logical Record Length**

This field contains the length of the logical record specifying the total number of bytes, including every character of every field contained in the record. The number of characters added to the record by this field itself shall be included in the calculation.

### **2.002 Image Designation Character**

This mandatory field shall be used to identify the user-defined text information contained in this record. The IDC contained in this field shall be the IDC of the Type-2 logical record as found in the file content field of the Type-1 record.

### **2.006 Attention Indicator**

This alphanumeric-special field shall contain a designation of the individual to whose attention a response is to be directed. Periods shall not be used (e.g., Det. J. Q. Public shall be entered as DET J Q PUBLIC).

### **2.007 Send Copy To**

The purpose of this 9-to-19 character alphanumeric-special (ANS) field is to indicate that additional electronic responses need to be forwarded to agencies other than the contributor by the state identification bureau. The first nine characters shall be alphanumeric and shall contain the NCIC assigned Originating Agency Identifier (ORI) for an agency who is to receive a copy of the response.

### **2.014 FNU (FBI Number)/UCN**

This field is used to uniquely specify Identities contained in the NGI database, and shall be no more than nine alphanumeric characters. This Universal Control Number (UCN) is used to identify records in the criminal, civil, ULF, and other repositories. The UCN number returned in a response is dependent upon the search results.

### **2.015 State Identification Number (SID)**

This field contains any known state identification number. The SID returned

in a response is dependent upon the search results. The format is the standard two character abbreviation of the state name, followed by the number. Embedded blanks are not permitted.

**2.016 Social Security Number**

This field contains the subject’s social security number, if known. This number shall be entered as nine consecutive digits with no embedded punctuation characters. No foreign social security numbers shall be used.

**2.017 Miscellaneous Identification Number**

If there are any miscellaneous identification numbers, they shall be entered in this field. The format of the data shall be a two letter identifying code, followed by a hyphen (-), followed by the number itself. The following table lists the acceptable two letter identifying codes. If “AF” or “AS” is entered, all characters following the hyphen must be numeric. Interspersed blanks are invalid. Types of numbers not listed in the following table (such as driver’s license) shall not be entered. Only U. S. passport numbers shall be entered; foreign numbers shall be ignored. The size of the MNU is limited to 15 characters. As many as four miscellaneous numbers may be included in this field. Each MNU shall be separated from the next by the separator character.

<b>Identifying Agency</b>	<b>Code</b>
Air Force Serial Number	AF
Non-Immigrant Admission Number	AN
Alien Registration Number	AR
Air National Guard Serial Number, Army Serial Number, National Guard Serial Number	AS
Bureau Fugitive Index Number	BF
Canadian Social Insurance Number	CI
US Coast Guard Serial Number	CG
Fingerprint Identification Number (DHS only)	FN
Identification Order Number	IO
Marine Corps Serial Number	MC
Mariner’s Document or Identification Number	MD
RCMP Identification or Fingerprint Section Number	MP
National Agency Case Number	NA
Navy Serial Number	NS
Originating Agency Police or Identification Number	OA
Personal Identification Number (State Issued Only)	PI
Passport Number (U.S. Only)	PP
Port Security Card Number	PS
Selective Service Number	SS
Veterans Administration Claim Number	VA

**2.018 Name**

This alpha-special field contains the name(s) of the subject. The format shall be the surname followed by a comma (,) followed by the given name(s), which are separated by a space. Hyphens, commas, and blanks are all allowed as special characters. Numeric values are not allowed. Special values to be entered in cases where the subject’s name is not known are:



<b>Condition</b>	<b>Name Field Value</b>
Amnesia Victim	UNKNOWN AMNESIA, XX
Unknown Deceased	UNKNOWN DECEASED, XX
Name Not Available (Other)	DOE, JOHN or DOE, JANE

### **2.019 Aliases**

This 3-to-30 alpha-numeric special field contains alias names of the subject. Up to ten aliases may be provided, separated from one another by the character. Each alias will be separated from one another by the {RS} character. Aliases may contain a comma, hyphen, or blank as special characters. The format shall be the surname followed by a comma, followed by the given name(s) separated by a space. The following restrictions and exceptions to the general format apply:

1. Minimum length is three bytes in the following sequence: alphabetic, comma, alphabetic.
2. A comma must be followed by the minimum of one alpha character.
3. Blank before or after comma is invalid.
4. Hyphen in first and last position of any name segment is invalid.
5. Two consecutive blanks or hyphens between characters are invalid.

### **2.020 Place of Birth**

The subject's place of birth shall be entered in this field. Indicate in this POB field the state (Mexican, United States), territorial possession, province (Canadian), or country of birth. The appropriate two letter abbreviation shall be used as listed in Appendix P. The criteria listed below shall also be considered when assigning POB:

<b>Condition</b>	<b>Code</b>
POB stated as state AND country and applicable code not contained in NCIC Code Table; OR city can be ascertained as not being located in the United States; OR foreign POB and applicable code not contained in the NCIC Code Table	YY
POB stated as only city AND city can be ascertained as being located in the United States	US
POB is Mexico or any Mexican state or province not in the NCIC Code Table	MM
POB is "Mexico, Mexico"	MX
POB is unknown	XX

### **2.021 Country of Citizenship**

This field contains the name of the country of which the subject is a citizen. Entry must be a valid country code from Appendix P.

### **2.025 Race**

This field is used to indicate the race of the subject. Use the predominant race code from the following table:

<b>If the subject is:</b>	<b>Code</b>
Chinese, Japanese, Filipino, Korean, Polynesian, Indian, Indonesian, Asian Indian, Samoan, or any other Pacific Islander	A
A person having origins in any of the black racial groups of Africa	B
American Indian, Eskimo, or Alaskan native, or a person having origins in any of the 48 contiguous states of the United States or Alaska who maintains cultural identification through tribal affiliation or community recognition	I
Of indeterminable race	U
Caucasian, Mexican, Puerto Rican, Cuban, Central or South American, or other Spanish culture or origin, regardless of race	W
Mexican, Puerto Rican, Cuban, Central or South American, or other Spanish culture or origin, regardless of race (used for <b>ARR</b> and <b>CUR</b> transactions within Illinois <u>only</u> )	H

### **2.026 Scars, Marks, and Tattoos**

For each scar, mark, or tattoo present on the subject, the appropriate NCIC code shall be used in this information item. Blanks are allowed as special characters. Please review extensive list provided in Appendix P for appropriate codes.

### **2.027 Height**

This field contains the subject's height as a three character value. If reported in feet and inches, the first (leftmost) digit is used to show feet while the two rightmost digits are used to show the inches between 00 and 11. If reported in inches, the leftmost character is "N" followed by two digits. If height is unknown, 000 is entered. The allowable range is 400 to 711. Heights outside this range will be clamped at these limits.

### **2.029 Weight**

In this field the subject's weight in pounds is entered. If weight is unknown, 000 is entered. All weights in excess of 499 pounds will be set to 499 lbs.

### **2.031 Eye Color**

For this field, the three letter code from the following table is used to indicate the subject's color of eyes.

<b>Eye Color</b>	<b>Code</b>
Black	BLK
Blue	BLU
Brown	BRO
Gray	GRY
Green	GRN
Hazel	HAZ
Maroon	MAR
Multicolored	MUL

<b>Eye Color</b>	<b>Code</b>
Pink	PNK
Unknown	XXX

### **2.032 Hair Color**

In this field, the three letter code from the following table is used to indicate the subject's color of hair.

<b>Hair Color</b>	<b>Code</b>
Bald	BAL
Black	BLK
Blond or Strawberry	BLN
Brown	BRO
Gray or Partially Gray	GRY
Red or Auburn	RED
Sandy	SDY
White	WHI
Unknown	XXX
Blue	BLU
Green	BRN
Orange	ONG
Pink	PNK
Purple	PLE

### **2.035 Palm Prints Available Indicator**

If palm prints are available, this field shall contain a "Y"; otherwise, the field shall be omitted.

### **2.036 Photo Available Indicator**

If a photograph of the subject is available, this field shall contain a "Y"; otherwise, the field shall be omitted.

### **2.038 Date Printed**

This field contains the date that the subject was fingerprinted. This shall not exceed the date of submission. The format of the field is CCYYMMDD.

### **2.040 Occupation**

This free text field contains the subject's occupation. The OCP returned in a response is the same as the one submitted.

### **2.045 Date of Arrest/Received**

This field contains the date of arrest. The Date of Arrest/Received shall not exceed date of submission. The format of the field is CCYYMMDD.

### **2.067 Image Capture Equipment Set**

This free text field is used to log the make, model, and serial number of the equipment used to acquire images. It is composed of three information items:

1. Make

2. Model
3. Serial number of the acquisition device

For traditional encoding, these information items shall be separated by the {US} separator character.

**2.070 Request for FBI Electronic Rap Sheet**

The purpose of this field is to allow the contributors to optionally request an electronic rap sheet of the suspect. That rap sheet will be an IDRR if an Ident was made and an NIDR if the submission resulted in a Non-Ident. A "Y" indicates that a rap sheet is desired and an omitted field or an "N" indicates that no electronic rap sheet should be returned with the response.

**2.073 Controlling Agency Identifier**

In Criminal and Civil transactions, the first instance of this field shall contain the Originating Agency Identifier (ORI) of the organization controlling the transaction.

**2.084 Amputated or Bandaged Set**

This repeating field contains information about amputated or bandaged fingerprints in a transaction. The field is composed of repeating sets of two information items:

1. Finger Position
2. Amputated or Bandaged Code

This field is to be used any time there are fewer than ten printable fingers in a tenprint submission for finger positions 1 – 10 or positions 11 – 15 to specify when no slap fingerprint images are provided in the finger positions. For the traditional encoding, the two-character finger position code is followed by the {US} separator and the amputated or bandaged code. Each set of fingers/amp codes shall be separated by the {RS} separator.

Finger Position Codes:

<b>Finger Position</b>	<b>Code</b>
Right Thumb	1
Right Index	2
Right Middle	3
Right Ring	4
Right little	5
Left thumb	6
Left index	7
Left middle	8
Left ring	9
Left little	10
Plain right thumb	11
Plain left thumb	12

<b>Finger Position</b>	<b>Code</b>
Plain right four fingers	13
Plain left four fingers	14
Plain left and right thumbs	15

Finger Descriptor Codes:

<b>Descriptor</b>	<b>Code</b>
Amputation	XX
Unable to print (e.g., bandaged)	UP

### **2.310 Input Source ID**

This field contains the identifier for the source of the transaction. ISP will assign the Input Source ID based on the following:

<b>Source</b>	<b>Input Source ID</b>
Local CICS	CICS Terminal ID
Remote CICS	CICS Region/APPLID
Gateway	Gateway Node Name
Tape/Cartridge	Blank (spaces)

### **2.311 Record Format Source Code**

This field contains the record format submitted. For live scan and card scan fingerprint submissions the value for this field is "TYP2".

### **2.312 Submission Type Code**

This field contains the code for the submission type submitted for processing. Valid values are:

<b>Transaction Type</b>	<b>Code</b>
Access and Review	RAR
Arrest	ARR
Criminal Justice Applicant	APP
Custodial Receive	CUR
Fee Applicant	FEAPP
Fingerprint Inquiry	FPINQ
Juvenile Arrest	JVSBM
UCIA Fingerprint	UCIAF

### **2.313 Transaction Action Code**

This field contains a code to describe the type of action for the transaction. The only valid code for transactions is "A" for add.

### **2.314 Document Control Number**

This field contains a unique number to identify related transactions. ISP will provide blocks of numbers to agencies reporting electronically.

### **2.315 Agency NCIC Number**

This field contains the NCIC number of the arresting agency for arrest

submissions, the confining agency for custodial receipts, the probation agency for juveniles assigned to probation adjustment or the requesting agency for fee applicant, criminal justice applicant submissions and access and review.

**2.319 Date of Birth**

This field contains the date of birth of the subject. The format of the field is CCYYMMDD.

**2.320 Sex**

This field contains the gender of the subject. Valid codes are:

<b>Sex</b>	<b>Code</b>
Male	M
Female	F
Unknown	U

**2.330 Sentence Segment**

This field contains the following subfields. One and only one of these fields are required for each Sentence Segment. Either 2.330 (sentence segment) and 2.345 (court charge segment) must be entered or 2.376 (Sexually dangerous indicator) must be entered for each record.

<b>Subfield</b>	<b>Description</b>
Charge Number	The field contains the sequential numbering of all charges reported, starting with charge number 1.
Sentence Type Code	This field contains the code for the sentence type. Valid codes are contained in the Administrative Office of the Illinois Courts Automated Disposition Reporting Data Dictionary under data element number 72, sentence type 1.
Sentence Length	This field contains the length for a determinate sentence. Valid codes are contained in the Administrative Office of the Illinois Courts Automated Disposition Reporting Data Dictionary under data element number 152, sentence length 1.
DOC Minimum Time	This field contains the minimum sentence time for indeterminate sentences or can be used for a determinate sentence. Valid codes are contained in the Administrative Office of the Illinois Courts Automated Disposition Reporting Data Dictionary under data element number 83, DOC minimum time.
DOC Maximum Time	This field contains the maximum sentence length for indeterminate sentences. Valid codes are contained in the Administrative Office of the Illinois Courts Automated Disposition Reporting Data Dictionary under data element number 82, DOC maximum time.
Public Service Hours	This field contains the number of hours the subject is sentenced to perform public service. Valid codes are contained in the Administrative Office of the Illinois Courts Automated Disposition Reporting Data Dictionary under data element number 88, public service hours.

<b>Subfield</b>	<b>Description</b>
Fine Amount	This field contains the amount of fine ordered by the court. The format for the field is seven positions for whole dollars followed by two positions for cents.
Cost Amount	This field contains the amount of costs levied by the court. The format for the field is seven positions for whole dollars followed by two positions for cents.
Restitution Amount	This field contains the amount of restitution ordered by the court. The format for the field is seven positions for whole dollars followed by two positions for cents.
Sentence Status Code	This field contains the code to indicate the status of a sentence pronounced by the court. Valid codes are contained in the Administrative Office of the Illinois Courts Automated Disposition Reporting Data Dictionary under data element number 73, sentence status 1.
Sentence Date	This field contains the date on which the subject was sentenced. The format of the date is CCYYMMDD.

### **2.331 Agency Case Number (Unique)**

This field contains a case number assigned by the agency which is unique for the agency.

### **2.332 Agency Case Number (Non-unique)/Indictment Number**

This field contains a case number assigned by the agency. There is no requirement that this case number be unique for the agency.

### **2.334 Disposition of Arrestee Under 17**

This field contains a code for the disposition of an arrestee who is under 17 years of age at the time of arrest. This field is mandatory for arrestees under 17 years of age at the time of arrest. Valid codes are:

<b>Disposition</b>	<b>Code</b>
Handled within the department	H
Referred to other authorities	R

### **2.337 Arrestee Armed With Segment**

This field contains two subfields. The first subfield, *Arrestee Armed With*, contains a code to indicate whether the arrestee was armed with a commonly known weapon at the time of apprehension. Valid codes are:

<b>Armed with:</b>	<b>Code</b>
Unarmed	01
Firearm (unknown type)	11
Rifle	13
Shotgun	14
Other firearm	15
Lethal cutting instrument	16
Club/blackjack/brass knuckles	17

The second subfield, *Automatic Indicator*, contains the code "A" if the weapon was an "automatic" firearm. If the weapon was not an "automatic", leave this

subfield blank.

**2.341 Skin Tone Code**

This field contains the subject’s skin tone. Valid values are:

<b>Skin Tone</b>	<b>Code</b>
Albino	ALB
Black	BLK
Dark	DRK
Dark Brown	DBR
Fair	FAR
Light	LGT
Light Brown	LBR
Medium	MED
Medium Brown	MBR
Olive	OLV
Ruddy	RUD
Sallow	SAL
Yellow	YEL

**2.342 Driver’s License Number**

This field contains the subject’s driver’s license number.

**2.343 State Issuing Driver’s License**

This field contains the state which issued the driver’s license. Valid values are the standard postal state codes.

**2.344 Arrest Charge Segment**

This field contains the following subfields:

<b>Subfield</b>	<b>Description</b>
Charge Number	The field contains the sequential numbering of all charges reported, starting with charge number 1.
Charge Statute Citation	This field contains the Illinois Compiled Statute for the offense. A current listing of reportable citations is available from ISP. Either “Charge Statute Citation” or an “AOIC Offense Code Number” must be reported for arrest charge.
AOIC Offense Code	This field contains the AOIC (Administrative Office of the Illinois Courts) offense code number for the offense. A current listing of reportable AOIC offense codes is available from ISP. Either “Charge Statute Citation” or an “AOIC Offense Code Number” must be reported for arrest charge.
Inchoate Offense Code	This field contains a code to report whether the offense reported is the substantive offense or an anticipatory offense. Valid codes are:  Attempt                    A Conspiracy                C Drug conspiracy            D Substantive offense        O



<b>Subfield</b>	<b>Description</b>
	Solicitation S
Charge Penalty Class	This field contains a code for the penalty class as provided by Illinois' statutes. Valid codes are:  Class Murder M Class X Felony X Class 1 Felony 1 Class 2 Felony 2 Class 3 Felony 3 Class 4 Felony 4 Class A Misdemeanor A Class B Misdemeanor B Class C Misdemeanor C Petty Offense P Business Offense U Felony Offense F Misdemeanor Offense Y Local Ordinance L
Domestic Violence Indicator	This field contains an indicator for whether the offense meets the criteria for domestic violence as defined in the Gun Control Act of 1968, as amended.  This indicator should be set to "Y" if the offense has, as an element, the use or attempted use of physical force, or the threatened use of a deadly weapon, committed by a current or former spouse, parent, or guardian of the victim, by a person with whom the victim shares a child in common, by a person who is cohabiting with or has cohabited with the victim as a spouse, parent, or guardian, or by a person similarly situated to a spouse, parent, or guardian of the victim.  If this criterion is not met, the indicator should be set to "N". If it is unknown if the criteria is met, the indicator should be set to "U" for unknown.
Date of Offense	This field contains the date of the offense. The date shall be in the format CCYYMMDD.
Arrest Type	This field contains a code to describe the type of arrest. Valid codes are:  On-view arrest V Summoned/Cited (Not taken into custody) S Original Arrest Warrant A Bond Forfeiture Warrant B Probation Violation Warrant P Parole/Mandatory Supervised Release Violation Warrant M Out of State Warrant (all types) O
County Issuing Warrant	This field contains a three digit code for the county in which the warrant was issued. See "County Codes" for valid codes.
Court Case Number	This field contains the court case number.

### **2.345 Court Charge Segment**

This field contains the following subfields. Either 2.330 (sentence segment) and 2.345 (court charge segment) must be entered or 2.376 (Sexually dangerous indicator) must be entered for each record.

<b>Subfield</b>	<b>Description</b>
Charge Number	The field contains the sequential numbering of all charges reported, starting with charge number 1.
Charge Statute Citation	This field contains the Illinois Compiled Statute for the offense. A current listing of reportable citations is available from ISP. Either "Charge Statute Citation" or an "AOIC Offense Code Number" must be reported for arrest charge.
AOIC Offense Code	This field contains the AOIC (Administrative Office of the Illinois Courts) offense code number for the offense. A current listing of reportable AOIC offense codes is available from ISP. Either "Charge Statute Citation" or an "AOIC Offense Code Number" must be reported for arrest charge.
Inchoate Offense Code	This field contains a code to report whether the offense reported is the substantive offense or an anticipatory offense. Valid codes are:  Attempt                    A Conspiracy                C Drug conspiracy          D Substantive offense      O Solicitation                S
Charge Penalty Class	This field contains a code for the penalty class as provided by Illinois' statutes. Valid codes are:  Class Murder              M Class X Felony            X Class 1 Felony            1 Class 2 Felony            2 Class 3 Felony            3 Class 4 Felony            4 Class A Misdemeanor    A Class B Misdemeanor    B Class C Misdemeanor    C Petty Offense             P Business Offense        U Felony Offense            F Misdemeanor Offense    Y Local Ordinance         L
County Code	This field contains a three digit code for the county in which the warrant was issued. See "County Codes" in Appendix P for valid codes.
Court Case Number	This field contains the court case number.
Charge Disposition	This field contains the AOIC charge disposition code. Valid codes are contained in the Administrative Office of the Illinois Courts Automated Disposition Reporting Data Dictionary under data element number 67, charge disposition.

<b>Subfield</b>	<b>Description</b>
Charge Disposition Date	This field contains the date the charge was disposed of by the court. The format for the date is CCYYMMDD.

**2.346 Chicago IR Number**

This field contains the Chicago IR number assigned to a subject, if known. A valid Chicago IR number shall be no more than nine (9) alphanumeric characters.

**2.347 IDOC Number**

This field contains the Illinois Department of Corrections number assigned to a subject, if known.

**2.348 County of Prosecution**

This field contains a three digit code for the county in which the subject will be prosecuted. See "County Codes" in Appendix P for valid codes.

**2.349 Minor by Court Order**

This field contains a code for the reason for submitting fingerprints on juveniles. Valid codes are:

<b>Description</b>	<b>Code</b>
Rule of Law	1
Court Order	2
Juvenile Arrest	3*

\*Note: The numeric value of 3 will only be valid until 01 January 2001 after which a juvenile arrest card must be submitted.

**2.350 Post Sentence Fingerprints**

This field contains a code to indicate if arrest submission is post sentence. The only valid code is "Y".

**2.351 ISP Retention Code**

This field contains a code indicating whether the information submitted is to be retained as a part of the ISP criminal history record information system. An "R" is used to indicate that ISP is to retain the submission.

**2.353 Basis for Caution**

This field contains information which may be a basis for caution dealing with the subject.

**2.354 FBI Response Needed**

This field contains an indicator as to whether an FBI response (rap sheet) is needed. Valid codes are "Y" for yes and "N" for no.

**2.355 Send ISP Rap Sheet to NCIC Number**

This field contains the NCIC number of additional agencies to whom an ISP rap sheet should be sent upon completion of processing this transaction.

**2.356 ORI of Agency From Whom Subject Received**

This field contains the NCIC ORI number for the court which committed the subject to the custodial institution.

**2.357 County of Court Case Number**

This field contains the three digit code for the county in which the court case number was issued. See "County Codes" in Appendix P for valid codes.

**2.358 Booking Number**

This field contains the identifier assigned to a subject by a correctional institution.

**2.359 Custodial Status Code**

This field contains the code for the custodial status of the subject. The only valid Custodial Status Code for a fingerprint based Custodial Receive fingerprint transaction is "Received", code 421.

**2.360 Custodial Status Date**

This field contains the date of the custodial status is effective. The format of the field is CCYYMMDD.

**2.366 Employer and Address Segment**

This field contains the subject's employer and the employer's address. It is comprised of the following subfields:

<b>Subfield</b>	<b>Description</b>
Employer Name	This field contains name of the subject's employer.
Street Address	This field contains the street address, including apartment number.
City	This field contains the city for the address.
State	This field contains the state. Standard NCIC state and country codes must be utilized.
Zip Code	This field contains the five or nine digit zip code. If a nine digit zip code is provided, there is no "-" between the five digits and the four digits.

**2.367 Residence of Person Fingerprinted Segment**

This field contains the residence of the subject. It contains the following subfields:

<b>Subfield</b>	<b>Description</b>
Street Address	This field contains the street address, including apartment number.
City	This field contains the city for the address.
State	This field contains the state. Standard NCIC state and

<b>Subfield</b>	<b>Description</b>
	country codes must be utilized.
Zip Code	This field contains the five or nine digit zip code. If a nine digit zip code is provided, there is no "-" between the five digits and the four digits.

**2.368 FOID Number**

This field contains the subject's Firearm Owner's Identification (FOID) card number.

**2.369 Arresting Officer Badge Number**

This field contains the badge number of the arresting officer.

**2.370 Date of Bond**

This field contains the date the bond was set. The format of the field is CCYYMMDD.

**2.371 Bond Receipt Number**

This field contains the receipt number for bond posted.

**2.372 Bond Amount**

This field contains the amount of bond set by the court in dollars and cents. No decimal point is used to separate the dollars and cents.

**2.373 Cash Bond Deposited**

This field contains the amount of any cash bond deposited in dollars and cents. No decimal point is used to separate the dollars and cents.

**2.374 Bond Type Posted**

This field contains the type of bond posted. Valid codes are:

<b>Description</b>	<b>Code</b>
No bond posted	01
Driver's license	02
Recognizance, personal, or "I" bond	03
Cash (Full cash amount)	04
10% Bond (10% of bond set)	06
All other bond types	13

**2.375 Released Without Charging Indicator**

This field contains an indicator if the subject was released by the law enforcement agency without charging. The code "Y" should be entered if the subject was released without charging.

**2.376 Sexually Dangerous Indicator**

This field contains an indicator for whether the person has been found sexually dangerous. This indicator is set to "Y" if the person has been found sexually dangerous or "N" if the person has not been found to be sexually

dangerous. Either 2.330 (sentence segment) and 2.345 (court charge segment) must be entered or 2.376 (Sexually dangerous indicator) must be entered for each record.

**2.377 INS Number**

This field contains the INS number assigned to the person by the Immigration and Naturalization Service.

**2.378 Purpose for Fingerprint Submission**

This field contains the purpose for the criminal justice applicant or fee applicant fingerprint submission. The ISP Bureau of Identification will provide the value to be entered into this field.

**2.379 Certificate/License Number**

This field contains the license number or certificate number assigned by the submitting agency for the subject being fingerprinted.

**2.380 Cost Center**

This field contains the ISP assigned cost center for the fee applicant submission. The ISP Bureau of Identification will provide the cost center number to the submitting agency.

**2.381 Requestor Segment**

This field contains the mailing address of the requestor. It is comprised of the following subfields:

<b>Subfield</b>	<b>Description</b>
Requester Name	This field contains the name of the person requesting the criminal history record information. It is in the same format as "Name" as defined in the FBI EBTS.
Requester Agency	This field contains the name of the agency requesting the criminal history record.
Street Address	This field contains the street address, including apartment number.
City	This field contains the city for the address.
State	This field contains the state. Standard NCIC state and country codes must be utilized.
Zip Code	This field contains the five or nine digit zip code. If a nine digit zip code is provided, there is no "-" between the five digits and the four digits.
Foreign Postal Code	This field contains the postal code utilized in a foreign county.

**2.382 Fee Amount**

This field contains the amount of the fee. The format for the field is three positions for whole dollars followed by two positions for cents.

**2.383 Send to FBI**

This field is used to indicate whether the submission is to be sent to the FBI

for processing. Valid codes are:

Description	Code
To be processed by both the FBI and ISP	Y
To be processed by ISP only	N
To be processed by the FBI only (FEAPP only)	O

**2.384 Licensing or Employment Purposes**

This field contains a code indicating if the response will be used for licensing or employment purposes. Valid codes are:

Description	Code
Yes	Y
No	N

**2.385 Arrest Disposition Code**

This field contains the disposition code for a juvenile arrest. Valid codes are:

Description	Code
Informal Adjustment	I
Formal Adjustment	F
Released Without Charging	R
Petition/Referral to Court	C

**2.386 Employer Phone Number**

This field contains the telephone number of the subject's employer.

**2.387 School Name**

This field contains the name of the school attended by the subject.

**2.388 Time of Arrest**

This field contains the time the subject was arrested. The format is military time, HHMM.

**2.389 Parent/Legal Guardian Name**

This field contains the name of the parent or legal guardian of the juvenile.

**2.390 Adjustment Term/Sentence Set**

This field contains the following subfields:

Subfield	Description
Adjustment Term	This subfield contains the adjustment term for a juvenile. Valid codes are:
	Curfew T
	Geographic Restrictions G
	Contact Limitations L
	Possession of Firearms Limitations F
	School Attendance Required S
	Community Service X

<b>Subfield</b>	<b>Description</b>
	Community Mediation M Peer Support Program P Restitution R Juvenile Officer Reporting J Other O Counseling C
Adjustment Sentence	This subfield contains the adjustment sentence length, restitution amount, geographical or other sentence as imposed by the Arresting Agency. The sentence length is in the format YYMMDDHH, the same as Sentence Length. Restitution is a dollar amount.

### **2.391 Probation Notification Set**

This field contains the following subfields:

<b>Subfield</b>	<b>Description</b>
Probation Adjustment	This field contains a code to indicate if the juvenile is assigned to probation adjustment. Valid codes are:  Yes Y No N
Agency NCIC Number	This field contains the NCIC number of the probation agency for juveniles assigned to probation adjustment. (ORI must end in "G")



## APPENDIX N - LIVE SCAN/AFIS EXAMPLE

The following is an example of a live scan and AFIS interface operation.

### Electronic Submission/Booking Process

- 1.0 Operator Logon
  - 1.0.1 Enter operator id
  - 1.0.2 Enter password
  - 1.0.3 Logon correct?
    - = Yes GO TO 1.1
    - = No GO TO 1.0
- 1.1 Check live scan submission directory is present.
- 1.2 Operator enters arrest and demographic data at live scan, booking or case management system.
- 1.3 Data edits are performed on entered data.
  - 1.3.1 Data edits correct?
    - = **Yes** GO TO 1.4
    - = **No** GO TO 1.2
- 1.4 Data sent to (**Live scan FINGERPRINT QUEUE**)
- 1.5 Select card type (criminal, applicant)
- 1.6 Select ORI/OCA number
- 1.7 Select subject's name from list or enter search parameters.
- 1.8 Demographic data screen appears with subject's information.
  - 1.8.1 Operator verifies data matches with subject.
  - 1.8.2 Data OK?
    - = **Yes** GO TO 1.9
    - = **No** GO TO 1.7
- 1.9 Fingerprint screen appears
  - 1.9.1 Roll finger

- 1.9.2 Fingerprints acceptable?
  - = **Yes** GO TO 1.9.3
  - = **No** GO TO 1.9.1
  
- 1.9.3 Last finger?
  - = **Yes** GO TO 1.10
  - = **No** GO TO 1.9.1
  
- 1.10 Check charges for the criterion offenses defined by Customer
  - 1.10.1 Submission to STC?
    - = Yes Print card for local agency  
GO TO 1.11
    - = No Print card for local agency  
END of booking process
  
  - 1.11 Demographic and arrest data reformatted into type 1 and type 2 records
  
  - 1.12 Fingerprint data formatted into type 4 record using WSQ compression algorithm.
  
  - 1.13 Live scan checks for signal file directory.
    - 1.13.1 Signalfile directory present?
      - = Yes GO TO 1.14
      - = No GO TO 1.13
  
  - 1.14 Live scan creates filename *ddhmmss* for NIST record.
    - 1.14.1 Is filename unique?
      - = Yes GO TO 1.15
      - = No GO TO 1.14
  
  - 1.15 Live scan writes NIST record in LLLLLLL directory. Here, LLLLLLL is the live scan id for the device.
  
  - 1.16 Pause for a brief increment of time in order to allow time for the NIST record to complete uploading. The time increment will be provided by the ISP.
  
  - 1.17 Live scan writes *ddhmmss.LLLLLLL* signal file to sigfiles directory.
    - 1.17.1 ACK file present?
      - = **Yes** Is ACK for current record sent?
        - 1.17.1.1 delete ACK file from AFIS

1.17.1.2      purge record from Live scan transmit queue.  
1.17.1.3      **End send process.**

= **No**    Increment Timeout Counter

1.17.2 Has Timeout been reached?

= **Yes** GO TO 1.18

= **No**    GO TO 1.17

1.18    Increment retry counter. Has maximum retry count been reached?

= **Yes** GO TO 1.19

= **No**    GO TO 1.13

1.19    Halt send process and display error message to operator.

Operator must manually clear error screen and selects next record to be sent.  
Begin again at 1.13

## **APPENDIX O - DESCRIPTORS AND FIELD EDIT SPECIFICATIONS FOR ISP DEFINED TYPE 10 DATA FIELDS**

This appendix contains ISP specific information on descriptors and field edit specifications for the Type 10 logical records. The ANSI/NIST-ITL-1-2011, NIST Special Publication 500-271, "American National Standard for Information Systems - Data Format for the Interchange of Fingerprint, Facial, and Other Biometric Information – Part 1, and the FBI Electronic Biometric Transmission Specification contain additional information on these descriptor and field edit specifications. Where ISP references have been used in the record layout, submissions must conform to the specifications provided in this appendix.

### **Transaction Photo Requirement**

Effective January 1, 2014, all Fee Applicant transactions **must** contain a Type 10 (photograph) record.

### **Photograph Requirements**

#### **Lighting**

Subject illumination shall be accomplished using a minimum of three (3) point balanced illumination. Appropriate diffusion techniques shall also be employed and lights positioned to minimize shadows, and to eliminate hot spots on the facial image. These hot spots usually appear on reflective areas such as cheeks and foreheads. Proper lighting shall contribute to the uniformity of illumination of the background described in the exposure requirement.

#### **Background**

The subject whose image is being captured shall be positioned in front of a background which is 18% gray with a plain smooth flat surface. A Kodak or other neutral gray card or densitometer shall be used to verify this 18% gray reflectance requirement.

#### **Exposure**

The exposure shall be keyed to the background. Several areas of the recorded 18% gray background shall be used to verify the proper exposure. The averages of the 8-bit Red, Green, and Blue (RGB) components within each area shall be calculated. Each of the RGB means shall fall between 105 and 125 with a standard deviation of plus or minus 10. Furthermore, for every area examined, the maximum difference between the means of any two of the RGB components shall not exceed 10.

#### **Aspect Ratio**

The Width:Height aspect ratio of the captured image shall be 1:1.25.

### **Minumum Number of Pixels**

The minimum number of pixels in an electronic digital image shall be 480 pixels in the horizontal direction by 600 pixels in the vertical direction. It should be noted that the image quality of the captured mugshots and facial images will be improved as the number of pixels in both directions are increased. However, as images are captured with an increased number of pixels, the 1:1.25 (Width:Height) aspect ratio will be maintained.

## **Type 10 Data Requirements**

### **10.001 Logical Record Length**

This mandatory field shall contain the total count of the number of bytes in the Type-10 logical record. This field shall specify the length of the record including every character of every field in the record and the information separators.

### **10.002 Image Designation Character**

This field shall be used to identify the facial or SMT image data contained in the record.

### **10.003 Image Type**

This field is used to indicate the type of image contained in this record. It shall contain the following values to indicate the appropriate image type:

1. Face
2. Scar
3. Mark
4. Tattoo

### **10.004 Source Agency/ORI**

This field shall contain the Originating Agency Identification (ORI) number of the agency that captured the image.

### **10.005 Photo Date**

This field contains the date that photo was captured. This shall not exceed the date of submission. The format of the field is CCYYMMDD.

### **10.006 Horizontal Line Length**

This field shall contain the number of pixels contained on a single horizontal line of the transmitted image.

### **10.007 Vertical Line Length**

This field shall contain the number of vertical lines contained in the transmitted images.

**10.008 Scale Units**

This field shall specify the units used to describe the image sampling frequency (pixel density). A “1” in this field indicates pixels per inch, or a “2” indicates pixels per centimeter. A “0” in this field indicates no scale is given. For this case, the quotient of Horizontal Pixel Scale/Vertical Pixel Scale gives the pixel aspect ratio.

**10.009 Horizontal Pixel Scale**

This field shall specify the integer pixel density used in the horizontal direction of the transmitted image providing the Scale Units contains a “1” or “2”. Otherwise, it indicates the horizontal component of the pixel aspect ratio.

**10.010 Vertical Pixel Scale**

This field shall specify the integer pixel density used in the vertical direction of the transmitted image providing the Scale Units contains a “1” or “2”. Otherwise, it indicates the vertical component of the pixel aspect ratio.

**10.011 Compression Algorithm**

This is a mandatory field containing the compression algorithm for Type 10 records. When a Type 10 record contains a facial image, the JPEGB value shall be used in this field.

**10.012 Colorspace**

This field shall contain “RGB” to identify the color space use to exchange the image data.

**10.013 Subject Acquisition Profile**

This field is mandatory when the 10.003 field contains “FACE”. The intent of this field is to provide a general description of the criteria under which the facial image was captured. Valid values for this field are:

<b>Profile</b>	<b>Code</b>
Unknown profile	0
Surveillance facial image	1
Driver’s license image (AAMVA)	10
ANSI Full Frontal facial image (ANSI 385)	11
ANSI Token facial image (ANSI 385)	12
ISO Full Frontal facial image (ISO/IEC 19794-5)	13
ISP Token facial image (ISO/IEC 19794-5)	141
PIV facial image (NIST SP 800-76)	15
Legacy Mugshot	20
Best Practice Application – Level 30	30
Best Practice Application – Level 40	40
Best Practice Application – Level 50	50
Best Practice Application – Level 51	51

**10.020 Subject Pose**

This is an optional field used for the exchange of facial image data. This field

shall contain a one character code to describe the pose of the subject. For the angled pose entry “A”, field 10.021 shall contain the offset angle from the full face orientation. For the determined 3D pose entry “D”, field 10.025 shall contain a set of determined 3D pose angles away from the full frontal face orientation. Note that the offset angle in field 10.021 is opposite from the yaw angle in field 10.025 as indicated by a minus sign.

<b>Pose Description</b>	<b>Code</b>
Full Face Frontal	F
Right Profile (90 degree)	R
Left Profile (90 degree)	L
Angled Pose	A
Determined 3D Pose	D

#### **10.021 Pose Offset Angle**

This field shall only be used for the exchange of facial image data if field 10.020 contains an “A” to indicate an angled pose of the subject. This field should be omitted for a full face or a profile. This field specifies the pose position of the subject at any possible orientation within a circle. Its value shall be to a nearest degree.

#### **10.040 Location**

This field is mandatory when field 10.003 contains image type is “SCAR”, “MARK”, or “TATTOO”. It is used to identify a general location of the captured scar, mark, tattoo, or other characteristic (including piercings) in an image. The contents of this field shall be from the NCIC Code Table for Scars, Marks, and Tattoos, located in Appendix P. The captured image may encompass an area larger than that specified by a single NCIC body part code for the particular image type. This situation may be accommodated by listing multiple NCIC Codes, each in a separate subfield. In this case the primary code is listed first. There need not be more than one subfield.

#### **10.041 SMT Size**

This optional field shall contain the dimensions of the portion of the image contained in this record (it may be the entire scar, mark, tattoo, injury, or identifying characteristic). It shall consist of two information items: HEIGHT and WIDTH. Each dimension shall be entered to the nearest centimeter. This field shall only be used when field 10.003 does not equal “FACE”.

#### **10.042 SMT Descriptors**

This field is mandatory when field 10.003 contains image type is “SCAR”, “MARK”, or “TATTOO”. It is used to describe the content of the SMT image to an extent greater than documented in field 10.040.

<b>Subfield</b>	<b>Description</b>
SMT Code Indicator	This subfield shall identify the type of SMT. The following codes are valid for this field:

<b>Subfield</b>	<b>Description</b>
	Healed scar tissue SCAR Deliberate hole for body ornamentation PIERCING Deliberately applied or drawn images TATTOO Chemically created images CHEMICAL Burned/Branded images BRANDED Image caused by incision of the skin CUT
Tattoo class	This subfield shall be the general class code of the tattoo chosen from the "Class Code" column from the "Tattoo Class" tables in Appendix P.
Tattoo subclass	This subfield shall be the appropriate subclass code selected from the "Tattoo Class" tables in Appendix P.
Tattoo description	This subfield shall be a text string that provides additional qualifiers to describe the image or portion of the image. This information item does not apply to scars and marks.

### **10.043 Tattoo Color**

This field is optional, but it can only be used when field 10.003 contains image type is "TATTOO". It shall contain one subfield corresponding to each subfield contained in 10.042. Each subfield shall contain up to six information items that list the color(s) of the tattoo or part of the tattoo. For each subfield entry, the first one shall be the predominant color chosen from the table below. There need not be more than one information item.

<b>Pose Description</b>	<b>Code</b>
Black	BLACK
Brown	BROWN
Gray	GRAY
Blue	BLUE
Green	GREEN
Orange	ORANGE
Purple	PURPLE
Red	RED
Yellow	YELLOW
White	WHITE
Multi-Colored	MULTI
Outlined	OUTLINE

### **10.200 Transaction Control Number**

This mandatory field shall contain the Transaction Control Number as assigned by the originating agency. A unique control number shall be assigned to each transaction. This field shall be a sixteen byte alphanumeric-special (ANS) field.

The format of the transaction control number is TTTDDDDSSSSSSSSSS, where TTT is the ISP assigned device type, DDDD is the ISP assigned device number and SSSSSSSSS is the sequence number assigned to the transaction by the transaction originator.

### **10.999 Image Data**

This field shall contain all of the grayscale or color image data from a face,



scar, mark, tattoo, or other image. It shall always be assigned field number 999 and must be the last physical field in the record. The field number designation "10.999:" is followed by the image data in a binary representation. The code FFD91C should be found at the end of the image.

### **Additional Information**

Immediately following the last byte of data from field 10.999, an {FS} separator shall be used to separate it from the next logical record. This separator must be included in the length field of the Type 10 record. For each additional facial or SMT image, a complete Type 10 logical record together with the {FS} separator is required.

## APPENDIX P – NCIC CODE TABLES

### Illinois County Codes

County	Code
Adams	001
Alexander	002
Bond	003
Boone	004
Brown	005
Bureau	006
Calhoun	007
Carroll	008
Cass	009
Champaign	010
Christian	011
Clark	012
Clay	013
Clinton	014
Coles	015
Cook	016
Crawford	017
Cumberland	018
DeKalb	019
DeWitt	020
Douglas	021
DuPage	022
Edgar	023
Edwards	024
Effingham	025
Fayette	026
Ford	027
Franklin	028

County	Code
Fulton	029
Gallatin	030
Greene	031
Grundy	032
Hamilton	033
Hancock	034
Hardin	035
Henderson	036
Henry	037
Iroquois	038
Jackson	039
Jasper	040
Jefferson	041
Jersey	042
JoDaviess	043
Johnson	044
Kane	045
Kankakee	046
Kendall	047
Knox	048
Lake	049
LaSalle	050
Lawrence	051
Lee	052
Livingston	053
Logan	054
McDonough	055
McHenry	056

<b>County</b>	<b>Code</b>
McLean	057
Macon	058
Macoupin	059
Madison	060
Marion	061
Marshall	062
Mason	063
Massac	064
Menard	065
Mercer	066
Monroe	067
Montgomery	068
Morgan	069
Moultrie	070
Ogle	071
Peoria	072
Perry	073
Piat	074
Pike	075
Pope	076
Pulaski	077
Putnam	078
Randolph	079

<b>County</b>	<b>Code</b>
Richland	080
Rock Island	081
St. Clair	082
Saline	083
Sangamon	084
Schuyler	085
Scott	086
Shelby	087
Stark	088
Stephenson	089
Tazewell	090
Union	091
Vermilion	092
Wabash	093
Warren	094
Washington	095
Wayne	096
White	097
Whiteside	098
Will	099
Williamson	100
Winnebago	101
Woodford	102

## State Codes

State	Code
Alabama	AL
Alaska	AK
Arizona	AZ
Arkansas	AR
California	CA
Colorado	CO
Connecticut	CT
Delaware	DE
District of Columbia	DC
Florida	FL
Georgia	GA
Hawaii	HI
Idaho	ID
Illinois	IL
Indiana	IN
Iowa	IA
Kansas	KS
Kentucky	KY
Louisiana	LA
Maine	ME
Maryland	MD
Massachusetts	MA
Michigan	MI
Minnesota	MN
Mississippi	MS
Missouri	MO

State	Code
Montana	MT
Nebraska	NB
Nevada	NV
New Hampshire	NH
New Jersey	NJ
New Mexico	NM
New York	NY
North Carolina	NC
North Dakota	ND
Ohio	OH
Oklahoma	OK
Oregon	OR
Pennsylvania	PA
Rhode Island	RI
South Carolina	SC
South Dakota	SD
Tennessee	TN
Texas	TX
Utah	UT
Vermont	VT
Virginia	VA
Washington	WA
West Virginia	WV
Wisconsin	WI
Wyoming	WY
Unknown (United States)	US

## Territorial Possession Codes

<b>Territory</b>	<b>Codes</b>
American Samoa (Islands)	AM
Baker Island	BK
Canal Zone	CZ
Caroline Islands	CG
Guam	GM
Howland Island	HO
Jarvis Island	JR
Johnston Atoll	JI
Kingman Reef	KI
Marshall Islands	MH
Midway Islands	MW
Navassa Island	VL
Northern Marianas Islands	MK
Palmura Atoll	PL
Puerto Rico	PR
Virgin Islands	VI
Wake Island	WK

## Foreign Countries/Dependencies/ Territories

Country Code (-A-)	Code
Afghanistan	AF
Albania	AA
Algeria	AN
American Samoa (Islands)	AM
Andorra	AD
Angola	AO
Anguilla	AE
Antigua & Barbuda	AI
Argentina	AT
Armenia	AP
Aruba (now independent Netherlands Antilles)	AJ
Ashmore and Cartier Island	AH
Australia	AS
Austria	AU
Azerbaijan	AV
Azores Islands	AQ

Country (-B-)	Code
Bahamas	BD
Bahrain/Bahrein	BE
Balearic Island	BW
Bangladesh	BL
Barbados	BB
Barbuda & Antigua	AI
Bassas Da India (French Possession)	BF
Belgium	BG
Belize (formerly British Honduras)	BH
Benin (formerly Dahomey)	DH

Country (-B-)	Code
Bermuda	BM
Bhutan	BN
Bolivia	BV
Bonaire (Netherlands Antilles)	NX
Bosnia & Herzegovina	BP
Botswana	BT
Bouvet Island	BQ
Brazil	BZ
British Honduras (now Belize)	BH
British Indian Ocean Territory	BO
British Virgin Islands	VB
British Solomon Islands	BS
Brunei	BX
Bukina Faso (known as Bulcina (formerly Upper Volta)	UV
Bulgaria	BU
Burma	BR
Burundi	BI
Byelarus	BY

Country (-C-)	Code
Cambodia (Khmer Republic, now Kampuchea)	CJ
Cameroon	CM
CANADA (See list of Provinces later in this chapter; use CD for Unknown)	
Canary Islands	ZI
Cape Verde Islands	CV
Cayman Islands	CP
Central African Republic	CW

Country (-C-)	Code
Ceylon (now Sri Lanka)	CY
Chad	CF
China, Taiwan	TW
China, People's Republic	RC
Christmas Island, Territory of (Australian External Territory)	HR
Clipperton Island (French Possession)	DB
Cocos (Keeling) Islands	DD
Colombia	CB
Comoros, Federal Islamic Republics of the	DG
Congo, Brazzaville	RB
Congo, Kinshasa (now Zaire)	ZR
Cook Island	DI
Coral Sea Islands, Territory of (Australian External Territory)	DJ
Costa Rica	CR
Cote d'Ivoire, Republic of (Ivory Coast)	IY
Croatia	KC
Cuba	CC
Curacao	NX
Cyprus, Republic of	CS
Cyrcar (Netherlands Antilles)	NX
Czech Republic	EZ
Czechoslovakia	CK

Country (-D-)	Code
Dahomey (now Benin)	DH
Denmark, Kingdom of	DK
Djibouti, Republic of	DN
Dominica	DM

Country (-D-)	Code
Dominica Republic	DR
Ducie Island (DU for reference only)	PC

Country (-E-)	Codes
Ecuador	EU
Egypt (Un. Arab Rep.)	EY
El Salvador	EL
Ellice Island (now Tuvalu)	TV
England	EN
Equatorial Guinea	EK
Estonia	ES
Ethiopia	EO
Europa Island French	ER

Country (-F-)	Code
Falkland Islands	FA
Faroe Island	FO
Federated States of Micronesia	FS
Fiji	FJ
Finland	FD
France	FN
French Polynesia	FP
French Guiana	FG
French Southern & Antarctic Lands	FR

Country (-G-)	Code
Gabon	GB
Gambia	GK
Gaza	GZ
Georgia (formerly Gruzinslcaya)	GD
Germany	GE

Country (-G-)	Code
Ghana	GG
Gibraltar	RG
Gilbert & Ellice Islands (now Kiribati)	KB
Glorioso Island (French Possession)	GO
Greece	GC
Greenland	GN
Grenada	GJ
Guadeloupe	GP
Guatemala	GT
Guernsey Bailiwich (British Crown Dependency)	GF
Guiana, French	FG
Guinea	GI
Guinea-Bissau	PG
Guyana	GY

Country (-H-)	Code
Haiti	HT
Heard Island & McDonald Island, Territory of (Australian Territory)	HE
Hercegovena & Bosnia (HC for reference only)	BP
Holland (Netherlands)	NE
Honduras	HD
Hong Kong	HK
Hungary	HU

Country (-I-)	Code
Iceland	IC
India	II
Indonesia (now includes Timer)	IO

Country (-I-)	Code
Iran	IR
Iraq	IQ
Ireland	IE
Islas Malvinas (Falkland Islands)	FP
Isle of Man	IB
Israel	IS
Italy (including Sicily & Sardinia)	IT
Ivory Coast (now Cote d'Ivoire)	IY

Country (-J-)	Code
Jamaica	JM
Jan Mayen (Norwegian Territory)	JN
Japan	JA
Jersey, Bailiwich of British Crown Dependency	JE
Jordan	JO
Juan de Nova Island	JU

Country (-K-)	Code
Kampuchea (now Cambodia)	CJ
Kazakhstan	KT
Keeling (Cocos) Islands (Australia Dependency)	DD
Kenya	KE
Khmer Republic	CJ
Kiribati (formerly Gilbert Island)	KB
Korea, South	KO
Korea, North	KN
Kuwait	KU
Kyrgyzstan	KZ

Country (-L-)	Code
Labrador (included in	NF



Country (-L-)	Code
Newfoundland)	
Laos	LS
Latvia	LT
Lebanon	LN
Lesotho	LE
Liberia	LB
Libya	LY
Liechtenstein	LI
Lithuania	LH
Luxembourg	LX

Country (-M-)	Code
Macau (formerly spelled Macao)	OC
Madagascar (included in Malagasy Republic)	MP
Madeira Islands	IM
Malagasy Republic (includes Madagascar)	MP
Malawi	MF
Malaysia	MZ
Maldives	MV
Mali	ML
Malta	MY
Man, Isle of (Crown Dependency)	IB
Manahiki Island	KH
Mariana Islands	MK
Marshall Islands	MH
Martinique	ZB
Mauritania	MU
Mauritius	UM
Mayotte, Territorial Collectivity of	YO
McDonald Island & Heard Island	HE

Country (-M-)	Code
MEXICO (See list of Mexican States later in this appendix; use MM for unknown state)	
Midway Islands	MW
Moldova	LD
Monaco	MJ
Mongolia	MG
Montserrat	RR
Morocco	MQ
Mozambique	ZO

Country (-N-)	Code
Namibia (South West Africa)	SJ
Nauru	NR
Nepal	NP
Netherlands (Holland)	NE
Netherlands Antilles (now Bonaire)	NX
Nevis & Saint Christopher ("Kitts")	TS
New Caledonai	NQ
New Guinea (now Papua New Guinea)	NO
New Hebrides	HN
New Zealand	NZ
Nicaragua	NU
Niger	NN
Nigeria	NG
Niue	IU
Norfolk Island, Territory of (Australian External Territory)	OF
North Korea	KN
North Vietnam	VN
Northern Ireland	NI

Country (-N-)	Code
Norway	NW

Country (-O-)	Code
Okinawa	OI
Oman	OM

Country (-P-)	Code
Pakistan	PK
Palau, Republic of	PD
Panama	PM
Papua New Guinea (formerly New Guinea)	NO
Paracel Islands	PF
Paraguay	PV
Peoples Republic of China	RC
Peru	PU
Philippines	PI
Pitcairn Island	PC
Poland	PO
Polynesia, French	FP
Portugal	PT
Portuguese Timor	TI
Portuguese (now Guinea-Bissau)	PG
Puerto Rico	PR

Country (-Q-)	Code
Qatar	QA

Country (-R-)	Code
Republic of Congo, Brazzavile	RB
Reunion	RE
Rhodesia (now Zimbabwe)	RH
Romania/Rumania	RU

Country (-R-)	Code
Russia (USSR) (for reference only)	RA
Russia Federation	RF
Rwanda	RW

Country (-S-)	Code
Saint Helena	HS
St. Kitts-Nevis-St. Christopher	TS
St. Lucia	LU
St. Pierre and Miquelon	PS
St. Vincent & the Grenadines	VV
San Marino	SH
Sao Tome and Principe	TP
Sardinia (included in Italy)	IT
Saudi Arabia	SB
Scotland	SS
Senegal	SG
Seychelles	SE
Sicily (included in Italy)	IT
Sierra Leone	SA
Sikkim (same as India)	II
Singapore	SR
Slovakia	LF
Slovenia	LO
Socialist Republic of Vietnam	RV
Solomon Islands (formerly British Solomom Islands)	BS
Somalia	SM
South Africa	SF
South Georgia and the South Sandwich Islands	GS
South Korea	KO

Country (-S-)	Code
South Vietnam (for reference only)	VS
Southern Yemen (now People's Democratic Republic of Yemen, capital Aden)	ST
SW Africa (Namibia)	SJ
Soviet Union (USSR) (for reference only)	SX
Spain	SP
Spanish Sahara (now Western Sahara)	RS
Sprattly Islands	TE
Sri Lanka (formerly Ceylon)	CY
Sudan	SU
Suriname (also Surinam)	ZC
Svalbard (Norwegian Territory)	SV
Swaziland	SW
Sweden	SQ
Switzerland	SZ
Syria	SY

Country (-T-)	Code
Taiwan (Republic of China)	TW
Tajikistan	TJ
Tanzania	TZ
Thailand	TH
Timor, Portuguese	TI
Togo	TO
Tokelau	TK
Tonga	TG
Tongareua	TQ
Trinidad & Tobago	TT
Tromelin Island	TM

Country (-T-)	Code
Trucial States (now United Arab Emirates)	TC
Tunisia	TU
Turkey	TY
Turkmenistan	UR
Turks and Caicos Islands	TR
Tuvalu (formerly Ellice Island)	TV

Country (-U-)	Code
Uganda	UG
Ukraine	UK
Unknown (Note: For use in III records only)	XX
United Arab Emirates (formerly Trucial States)	TC
United Arab Republic (for reference only)	EY
Upper Volta (now Bukina Faso, known as Bulcina)	UV
Uruguay	UY
USA (See list of States in this chapter)	
USSR (Soviet Union)(for reference only)	SX
U.S. Virgin Islands	VI

Country (-V-)	Code
Vanuatu, Republic of (formerly New Hebrides)	HN
Vatican City	VY
Venezuela	VZ
Vietnam, North (for reference only)	VN
Vietnam, South (for reference only)	VS

Country (-V-)	Code
Virgin Islands, U.S.	VI

Country (-W-)	Code
Wake Island	WK
Wales	WL
Wallis and Futuna	WF
West Bank	WB
West Germany (for reference only)	WG
West Indies (for West Indies Island not found separately listed)	WN
Western Sahara	RS
Western Samoa	WS

Country (-Y-)	Code
Yemen (People's Democratic Republic of Yemen, capital Aden) (for reference only)	RY
Yemen (capital Sana) (for reference only)	YE
Yugoslavia (for reference only)	YG

Country (-Z-)	Code
Zaire (formerly Congo Kinshasa)	ZR
Zambia	ZM
Zimbabwe (formerly Rhodesia)	RH

## Canadian Provinces

<b>Province</b>	<b>Codes</b>
Alberta	AB
British Columbia	BC
Manitoba	MB
New Brunswick	NK
Newfoundland (includes Labrador)	NF
Northwest Territories	NT
Nova Scotia	NS
Ontario	ON
Prince Edward Island	PE
Quebec	PQ
Saskatchewan	SN
Unknown Canadian Province	CD
Yukon (Territory)	YT

## Mexican States

State	Code
Aguascalientes	AG
Baja California (Northern Section)	BA
Baja California (Southern Section)	BJ
Campeche	CE
Chiapas	CI
Chihuahua	CH
Coahuila	CU
Colima	CL
Distrito Federal (Mexico, D.F.)	DF
Durango	DO
Guanajuato	GU
Guerrero	GR
Hidalgo	HL
Jalisco	JL
Mexico, D.F. (Distrito Federal)	DF
Mexico (State)	MX
Michoacan	MC
Morelos	MR
Nayarit	NA
Nuevo Leon	NL
Oaxaca	OA
Puebla	PB
Queretaro	QU
Quintana Roo	QR
San Luis Potosi	SL
Sinaloa	SI
Sonora	SO
Tabasco	TB
Tamaulipas	TA

State	Code
Tlaxcala	TL
Unknown Mexican State	MM
Veracruz	VC
Yucatan	YU
Zacatecas	ZA

## Indian Nations

<b>State</b>	<b>Code</b>
Absentee Shawnee	EE
Devil's Lake Sioux Tribe	DL
Sac & Fox	FX
Fond du Lac	FC
Kiowa	KW
Menominee	IX
Mille Lacs	LC
Oglala Sioux	OS
Red Lake	RL
Shakopee	KP
Turtle Mtn. Band of Chipewa	UC
White Earth	WE

## Scars, Marks and Tattoos Codes

Artificial Body Parts and Aids	Code
Arm, left, artificial	ART L ARM
Arm, right, artificial	ART R ARM
Brace, left arm	BRAC L ARM
Brace, right arm	BRAC R ARM
Brace, back	BRACE BACK
Brace, left leg	BRAC L LEG
Brace, right leg	BRAC R LEG
Brace, neck	BRACE NECK
Braces, teeth	BRAC TEETH
Contact Lenses	CON LENSES
Denture, upper	DENT UP
Denture, lower	DENT LOW
Denture, upper and lower	DENT UP LO
Ear, left, artificial	ART L EAR
Ear, right, artificial	ART R EAR
Eye, left, artificial	ART L EYE
Eye, right, artificial	ART R EYE
Foot, left, artificial	ART L FT
Foot, right, artificial	ART R FT
Glasses (prescription)	GLASSES
Gold tooth	GOLD TOOTH
Hand, left, artificial	ART L HND
Hand, right, artificial	ART R HND
Hearing Aid	HEAR AID
Leg, left, artificial	ART L LEG
Leg, right, artificial	ART R LEG
Silver tooth	SLVR TOOTH
Wheelchair	WHEELCHAIR

Deafness	Code
Deaf, one ear, non-specific	DEAF EAR
Deaf, left ear	DEAF L EAR
Deaf, right ear	DEAF R EAR
Deaf, left and right ears	DEAF
Deaf-mute	DEAF MUTE

Blindness	Code
Blind, one eye, non-specific	BLND EYE
Blind, left eye	BLND L EYE
Blink, right eye	BLND R EYE
Blind, both eyes	BLIND
Cataract, non-specific	CATARACT
Cataract, left eye	CATA L EYE
Cataract, right eye	CATA R EYE
Cross-eyed	CROSSEYED
Glaucoma	GLAUCOMA

Deformities	Code
Cauliflower ear, left	CAUL L EAR
Cauliflower ear, right	CAUL R EAR
Cleft palate	CLEFT PAL
Crippled arm, left	CRIP L ARM
Crippled arm, right	CRIP R ARM
Crippled finger(s), left hand *	CRIP L FGR
Crippled finger(s), right hand *	CRIP R FGR
Crippled foot, left **	CRIP L FT
Crippled foot, right **	CRIP R FT
Crippled hand, left	CRIP L HND
Crippled hand, right	CRIP R HND
Crippled leg, left	CRIP L LEG
Crippled leg, right	CRIP R LEG
Crippled toe(s), left	CRIP L TOE
Crippled toe(s), right	CRIP R TOE
Extra breast, non-specific	EXTR BRST
Extra breast, center	EXTR CBRST
Extra breast, left	EXTR LBRST
Extra breast, right	EXTR RBRST
Extra finger(s), left hand	EXTR L FGR
Extra finger(s), right hand	EXTR R FGR
Extra nipple, non-specific	EXTR NIP
Extra nipple, center	EXTR C NIP
Extra nipple, left	EXTR L NIP
Extra nipple, right	EXTR R NIP
Extra toe(s), left	EXTR L TOE
Extra toe(s), right	EXTR R TOE
Harelip	HARELIP
Humpbacked	HUMPBACKED
Mute ***	MUTE
Protruding lower jaw	PROT L JAW
Protruding upper jaw	PROT U JAW
Shorter left leg	SHRT L LEG
Shorter right leg	SHRT R LEG

\* Includes webbed fingers

\*\* Includes clubfoot

\*\*\* To be used if the person is mute, but not deaf

Fractured Bones	Code
Ankle, non-specific	FRC ANKL
Ankle, left	FRC L ANKL
Ankle, right	FRC R ANKL
Arm, non-specific	FRC ARM
Arm, upper left	FRC UL ARM
Arm, lower left	FRC LL ARM
Arm, upper right	FRC UR ARM
Arm, lower right	FRC LR ARM
Back	FRC BACK
Clavicle, non-specific	FRC CLAVIC
Clavicle, left	FRC LCLAVI



<b>Fractured Bones</b>	<b>Code</b>
Clavicle, right	FRC RCLAVI
Fingers, non-specific	FRC FGR
Finger(s), left hand	FRC L FGR
Finger(s), right hand	FRC R FGR
Foot, non-specific	FRC FOOT
Foot, left	FRC L FOOT
Foot, right	FRC R FOOT
Hand, non-specific	FRC HAND
Hand, left	FRC L HAND
Hand, right	FRC R HAND
Jaw, non-specific	FRC JAW
Jaw, upper left	FRC UL JAW
Jaw, lower left	FRC LL JAW
Jaw, upper right	FRC UR JAW
Jaw, lower right	FRC LR JAW
Knee, non-specific	FRC KNEE
Knee, left	FRC L KNEE
Knee, right	FRC R KNEE
Leg, non-specific	FRC LEG
Leg, upper left	FRC UL LEG
Leg, lower left	FRC LL LEG
Leg, upper right	FRC UR LEG
Leg, lower right	FRC LR LEG
Neck	FRC NECK
Nose	FRC NOSE
Pelvis, non-specific	FRC PELVIS
Pelvic bone, left	FRC LPELVI
Pelvic bone, right	FRC RPELVI
Rib(s), non-specific	FRC RIBS
Rib(s) left	FRC L RIB
Rib(s), right	FRC R RIB
Shoulder, non-specific	FRC SHLD
Shoulder, left	FRC L SHLD
Shoulder, right	FRC R SHLD
Skull	FRC SKULL
Spine	FRC SPINE
Sternum	FRC STERN
Toes, non-specific	FRC TOE
Toe(s), left foot	FRC L TOE
Toe(s), right foot	FRC R TOE
Wrist, non-specific	FRC WRIST
Wrist, left	FRC L WRST
Wrist, right	FRC R WRST

<b>Missing Body Parts</b>	<b>Code</b>
Adenoids	MISS ADND
Appendix	MISS APPNX
Arm, left	MISS L ARM
Arm, right	MISS R ARM
Arm, lower left	MISS LLARM
Arm, lower right	MISS LRARM
Breasts	MISS BRSTS

<b>Missing Body Parts</b>	<b>Code</b>
Breast, left	MISS LBRST
Breast, right	MISS RBRST
Ear, left	MISS L EAR
Ear, right	MISS R EAR
Eye, left	MISS L EYE
Eye, right	MISS R EYE
Finger(s), left hand	MISS L FGR
Finger(s), right hand	MISS R FGR
Finger joint(s), left hand	MISS L FJT
Finger joint(s), right hand	MISS R FJT
Foot, left	MISS L FT
Foot, right	MISS R FT
Hand, left	MISS L HND
Hand, right	MISS R HND
Intestines	MISS INTES
Kidney, left	MISS L KID
Kidney, right	MISS R KID
Larynx	MISS LRYNX
Leg, left	MISS L LEG
Leg, right	MISS R LEG
Leg, lower left	MISS LLLEG
Leg, lower right	MISS LRLEG
Lung, left	MISS LLUNG
Lung, right	MISS RLUNG
Nose	MISS NOSE
Ovaries	MISS OVARS
Ovary, left	MISS LOVAR
Ovary, right	MISS ROVAR
Pancreas	MISS PANCR
Penis	MISS PENIS
Prostate Gland	MISS PROST
Spleen	MISS SPLEN
Stomach	MISS STOMA
Testis, left	MISS L TES
Testis, right	MISS R TES
Tongue	MISS TONG
Tonsils	MISS TONSL
Uterus	MISS UTRUS

<b>Needle Marks</b>	<b>Code</b>
Arm, left	NM L ARM
Arm, right	NM R ARM
Buttocks, left	NM L BUTTK
Buttocks, right	NM R BUTTK
Finger(s), left hand	NM L FGR
Finger(s), right hand	NM R FGR
Foot, left	NM L FOOT
Foot, right	NM R FOOT
Hand, left	NM L HND
Hand, right	NM R HND
Leg, left	NM L LEG
Leg, right	NM R LEG

Needle Marks	Code
Thigh, left	NM L THIGH
Thigh, right	NM R THIGH
Wrist, left	NM L WRIST
Wrist, right	NM R WRIST

Scars	Code
Abdomen	SC ABDOM
Ankle, non-specific	SC ANKL
Ankle, left	SC L ANKL
Ankle, right	SC R ANKL
Arm, non-specific	SC ARM
Arm, left	SC L ARM
Arm, right	SC R ARM
Arm, left upper	SC UL ARM
Arm, right upper	SC UR ARM
Back	SC BACK
Breast, non-specific	SC BREAST
Breast, left	SC L BRST
Breast, right	SC R BRST
Buttocks, non-specific	SC BUTTK
Buttocks, left	SC L BUTTK
Buttocks, right	SC R BUTTK
Calf, non-specific	SC CALF
Calf, left	SC L CALF
Calf, right	SC R CALF
Cheek, non-specific	SC L CHK
Cheek (face), left	SC L CHK
Cheek (face), right	SC R CHK
Chest	SC CHEST
Chin	SC CHIN
Ear, non-specific	SC EAR
Ear, left	SC L EAR
Ear, right	SC R EAR
Elbow, non-specific	SC ELBOW
Elbow, left	SC L ELB
Elbow, right	SC R ELB
Eyebrow, non-specific	SC EYE
Eyebrow, left (or left eye area)	SC L EYE
Eyebrow, right (or right eye area)	SC R EYE
Face (Be more specific if possible.)	SC FACE
Finger(s), non-specific	SC FGR
Finger(s), left hand	SC L FGR
Finger(s), right hand	SC R FGR
Foot, non-specific	SC FOOT
Foot, left	SC L FT
Foot, right	SC R FT
Forearm, non-specific	SC F ARM
Forearm, left	SC LF ARM
Forearm, right	SC RF ARM
Forehead	SC FHD

Scars	Code
Groin area	SC GROIN
Hand, non-specific	SC HAND
Hand, left	SC L HAND
Hand, right	SC R HAND
Head (Be more specific, if possible)	SC HEAD
Hip, non-specific	SC HIP
Hip, left	SC L HIP
Hip, right	SC R HIP
Knee, non-specific	SC KNEE
Knee, left	SC L KNEE
Knee, right	SC R KNEE
Leg, non-specific	SC LEG
Leg, left	SC L LEG
Leg, right	SC R LEG
Lip non-specific	SC LIP
Lip, lower	SC LOW LIP
Lip, upper	SC UP LIP
Neck	SC NECK
Nose	SC NOSE
Penis	SC PENIS
Pockmarks	POCKMARKS
Shoulder, non-specific	SC SHLD
Shoulder, left	SC L SHLD
Shoulder, right	SC R SHLD
Thigh, non-specific	SC THIGH
Thigh, left	SC L THGH
Thigh, right	SC R THGH
Wrist, non-specific	SC WRIST
Wrist, left	SC L WRIST
Wrist, right	SC R WRIST

Skin Discolorations (including birthmarks)	Code
Abdomen	DISC ABDOM
Ankle, non-specific	DISC ANKL
Ankle, left	DISC L ANKL
Ankle, right	DISC R ANKL
Arm, non-specific	DISC ARM
Arm, left	DISC L ARM
Arm, right	DISC R ARM
Back	DISC BACK
Breast, non-specific	DISC BRST
Breast, left	DISC L BRS
Breast, right	DISC R BRS
Buttocks, non-specific	DISC BUTTK
Buttocks, left	DISC L BUT
Buttocks, right	DISC R BUT
Cheek, non-specific	DISC CHEEK
Cheek (face), left	DISC L CHK
Cheek (face), right	DISC R CHK
Chest	DISC CHEST

<b>Skin Discolorations (including birthmarks)</b>	<b>Code</b>
Chin	DISC CHIN
Ear, non-specific	DISC EAR
Ear, left	DISC L EAR
Ear, right	DISC R EAR
Eyebrow, non-specific	DISC EYE
Eyebrow, left (or left eye area)	DISC L EYE
Eyebrow, right (or right eye area)	DISC R EYE
Face, non-specific	DISC FACE
Finger, non-specific	DISC FGR
Finger(s), left hand	DISC L FGR
Finger(s), right hand	DISC R FGR
Foot, non-specific	DISC FOOT
Foot, left	DISC L FT
Foot, right	DISC R FT
Forehead	DISC FHD
Hand, left	DISC L HND
Hand, right	DISC R HND
Hip, non-specific	DISC HIP
Hip, left	DISC L HIP
Hip, right	DISC R HIP
Head	DISC HEAD
Knee, non-specific	DISC KNEE
Knee, left	DISC LKNEE
Knee, right	DISC RKNEE
Leg, non-specific	DISC LEG
Leg, left	DISC L LEG
Leg, right	DISC R LEG
Lip, non-specific	DISC LIP
Lip, lower	DISC L LIP
Lip, upper	DISC U LIP
Neck	DISC NECK
Nose	DISC NOSE
Shoulder, non-specific	DISC SHLD
Shoulder, left	DISC LSHLD
Shoulder, right	DISC RSHLD
Thigh, non-specific	DISC THGH
Thigh, left	DISC L THGH
Thigh, right	DISC R THGH
Wrist, non-specific	DISC WRIST
Wrist, left	DISC L WRS
Wrist, right	DISC R WRS
Abdomen	MOLE ABDOM
Ankle, non-specific	MOLE ANKL
Ankle, left	MOLE L ANK
Ankle, right	MOLE R ANK
Arm, left	MOLE L ARM
Arm, right	MOLE R ARM
Back	MOLE BACK
Breast, non-specific	MOLE BRST
Breast, left	MOLE LBRST
Breast, right	MOLE RBRST

<b>Skin Discolorations (including birthmarks)</b>	<b>Code</b>
Buttocks, non-specific	MOLE BUTTK
Buttocks, left	MOLE L BUT
Buttocks, right	MOLE R BUT
Cheek, non-specific	MOLE CHK
Cheek (face), left	MOLE L CHK
Cheek (face), right	MOLE R CHK
Chest	MOLE CHEST
Chin	MOLE CHIN
Ear, non-specific	MOLE EAR
Ear, left	MOLE L EAR
Ear, right	MOLE R EAR
Eyebrow, left (or left eye area)	MOLE L EYE
Eyebrow, right (or right eye area)	MOLE R EYE
Finger, non-specific	MOLE FGR
Finger(s), left hand	MOLE L FGR
Finger(s), right hand	MOLE R FGR
Foot, non-specific	MOLE FOOT
Foot, left	MOLE L FT
Foot, right	MOLE R FT
Forehead	MOLE FHD
Groin	MOLE GROIN
Hand, non-specific	MOLE HAND
Hand, left	MOLE L HND
Hand, right	MOLE R HND
Head, non-specific	MOLE HEAD
Hip, non-specific	MOLE HIP
Hip, left	MOLE L HIP
Hip, right	MOLE R HIP
Knee, non-specific	MOLE KNEE
Knee, left	MOLE L KNE
Knee, right	MOLE R KNE
Leg, non-specific	MOLE LEG
Leg, left	MOLE L LEG
Leg, right	MOLE R LEG
Lip, non-specific	MOLE LIP
Lip, lower	MOLE L LIP
Lip, upper	MOLE U LIP
Neck	MOLE NECK
Nose	MOLE NOSE
Shoulder, non-specific	MOLE SHLD
Shoulder, left	MOLE L SHD
Shoulder, right	MOLE R SHD
Thigh, non-specific	MOLE THGH
Thigh, left	MOLE L THG
Thigh, right	MOLE R THG
Wrist, left	MOLE L WRS
Wrist, right	MOLE R WRS

<b>Tattoos</b>	<b>Code</b>
Abdomen	TAT ABDOM

<b>Tattoos</b>	<b>Code</b>
Ankle	TAT ANKL
Ankle, left	TAT L ANKL
Ankle, right	TAT R ANKL
Arm, non-specific	TAT ARM
Arm, left lower	TAT L ARM
Arm, right lower	TAT R ARM
Arm, left upper	TAT UL ARM
Arm, right upper	TAT UR ARM
Back	TAT BACK
Breast, non-specific	TAT BREAST
Breast, left	TAT L BRST
Breast, right	TAT R BRST
Buttocks, non-specific	TAT BUTTK
Buttocks, left	TAT L BUTK
Buttocks, right	TAT R BUTK
Calf, non-specific	TAT CALF
Calf, left	TAT L CALF
Calf, right	TAT R CALF
Cheek, non-specific	TAT CHEEK
Cheek (face), left	TAT L CHK
Cheek (face), right	TAT R CHK
Chest	TAT CHEST
Chin	TAT CHIN
Ear, non-specific	TAT EAR
Ear, left	TAT L EAR
Ear, right	TAT R EAR
Face (Be more specific, if possible)	TAT FACE
Finger, non-specific	TAT FNGR
Finger(s), left hand	TAT L FGR
Finger(s), right hand	TAT R FGR
Foot, non-specific	TAT FOOT
Foot, left	TAT L FOOT
Foot, right	TAT R FOOT
Forearm, non-specific	TAT FARM
Forearm, left	TAT LF ARM
Forearm, right	TAT RF ARM
Forehead	TAT FHD
Groin area	TAT GROIN
Hand, non-specific	TAT HAND
Hand, left	TAT L HND
Hand, right	TAT R HND
Head (Be more specific, if possible.)	TAT HEAD
Hip, non-specific	TAT HIP
Hip, left	TAT L HIP
Hip, right	TAT R HIP
Knee, non-specific	TAT KNEE
Knee, left	TAT L KNEE
Knee, right	TAT R KNEE
Leg, non-specific	TAT LEG
Leg, left	TAT L LEG
Leg, right	TAT R LEG

<b>Tattoos</b>	<b>Code</b>
Lip, non-specific	TAT LIP
Lip, lower	TAT LW LIP
Lip, upper	TAT UP LIP
Neck	TAT NECK
Nose	TAT NOSE
Penis	TAT PENIS
Shoulder, non-specific	TAT SHLD
Shoulder, left	TAT L SHLD
Shoulder, right	TAT R SHLD
Thigh, non-specific	TAT THGH
Thigh, left	TAT L THGH
Thigh, right	TAT R THGH
Wrist	TAT WRS
Wrist, left	TAT L WRS
Wrist, right	TAT R WRS

<b>Other Physical Characteristics</b>	<b>Code</b>
Cleft chin	CLEFT CHIN
Dimple, chin	DIMP CHIN
Dimples, left cheek (face)	DIMP L CHK
Dimples, right cheek (face)	DIMP R CHK
Freckles	FRECKLES
Hair implants	HAIR IMPL
Pierced abdomen	PRCD ABDMN
Pierced back	PRCD BACK
Pierced ears (both)	PRCD EARS
Pierced ear, one (non-specific)	PRCD EAR
Pierced genitalia	PRCD GNTLS
Pierced left ear	PRCD L EAR
Pierced lip, non-specific	PRCD LIP
Pierced lip, upper	PRCD U LIP
Pierced lip, lower	PRCD L LIP
Pierced nipple, non-specific	PRCD NIPPLE
Pierced nipple, left	PRCD L NIP
Pierced nipple, right	PRCD R NIP
Pierced nose	PRCD NOSE
Pierced right ear	PRCD R EAR

<b>Drugs</b>	<b>Code</b>
Alcohol	DA ALCOHOL
Amphetamines (including stimulants, speed, etc.)	DA AMPHETA
Barbiturates	DA BARBITU
Cocaine (including crack)	DA COCAINE
Glue	DA GLUE
Hallucinogens	DA HALLUCI
Marijuana	DA MARIJUA
Narcotics (including Heroin, Morphine, Dilaudid, Methadone, etc.)	DA NARCOTI
Paint (including thinner)	DA PAINT

<b>Drugs</b>	<b>Code</b>
Other drugs of abuse not listed above	DA OTHER

<b>Therapeutic Drugs</b>	<b>Code</b>
Analgesics (pain relievers, including Darvon, Acetaminophen, Aspirin, etc.)	TD ANALGES
Anticonvulsants (seizure medicines, including Dilantin, Mysoline, Phenobarbital, etc.)	TD ACONVUL
Antidepressants (mood-lifters, including Elavil, Triavil, Norpramine, Amitriptylene, Nortriptylene, etc.)	TD ADEPRES
Cardiac (heart medications,	TD CARDIAC

<b>Therapeutic Drugs</b>	<b>Code</b>
including Digitalis, Digoxin, etc.)	
Hypnotics (sleeping aids, including barbiturates, Chloral Hydrate, Glutethimide, etc.)	TD HYPNOTI
Insulin	TD INSULIN
Tranquilizers (including Valium, Thorazine, Stelazine, etc.)	TD TRANQUI
Other therapeutic medications not listed above, identify in MIS field	TD OTHER

## Tattoo Classes

Class Code	Subclass Description	Subclass Code
HUMAN	Male Face	MFACE
	Female Face	FFACE
	Abstract Face	ABFACE
	Male Body	MBODY
	Female Body	FBODY
	Abstract Body	ABBODY
	Roles (Knight, Witch, man, etc.)	ROLES
	Sports Figures (Football Player, Skier, etc.)	SPORT
	Male Body Parts	MBPART
	Female Body Parts	FBPART
	Abstract Body Parts	ABBPART
	Miscellaneous Human Forms	MHUMAN
	Skulls	SKULL

Class Code	Subclass Description	Subclass Code
	Blue Flowers	BLUEFL
	Yellow Flowers	YELFL
	Drawings of Flowers	DRAW
	Rose	ROSE
	Tulip	TULIP
	Lily	LILY
	Misc. Plants, Flowers, Vegetables	MPLANT

Class Code	Subclass Description	Subclass Code
FLAG	American Flag	USA
	State Flag	STATE
	Nazi Flag	NAZI
	Confederate Flag	CONFED
	British Flag	BRIT
	Miscellaneous Flags	MFLAG

Class Code	Subclass Description	Subclass Code
ANIMAL	Cats & Cat Heads	CAT
	Dogs & Dog Heads	DOG
	Other Domestic Animals	DOMESTIC
	Vicious Animals (Lions, etc.)	VICIOUS
	Horses (Donkeys, Mules, etc.)	HORSE
	Other Wild Animals	WILD
	Snakes	SNAKE
	Dragons	DRAGON
	Birds (Cardinal, Hawk, etc.)	BIRD
	Spiders, bugs, and Insects	INSECT
	Abstract Animals	ABSTRACT
	Animal Parts	PARTS
	Miscellaneous Animal Forms	MANIMAL

Class Code	Subclass Description	Subclass Code
OBJECT	Fire	FIRE
	Weapons (Guns, Arrows, etc.)	WEAP
	Airplanes and other Air vehicles (incl. Blimps)	PLANE
	Boats, Ships, & Other Water Vessels	VESSEL
	Trains	TRAIN
	Cars, Trucks, and other Land Vehicles (except Trains)	VEHICLE
	Mythical (Unicorns, etc.)	MYTH
	Sporting Objects (Football, Ski, Hurdles, etc.)	SPORT
	Water & Nature Scenes (Rivers, Sky, Trees, etc.)	NATURE
	Miscellaneous Objects	MOBJECTS

Class Code	Subclass Description	Subclass Code
PLANT	Narcotics	NARCOTICS
	Red Flowers	REDFL

<b>Class Code</b>	<b>Subclass Description</b>	<b>Subclass Code</b>
ABSTRACT	Figure(s)	FIGURE
	Sleeve	SLEEVE
	Bracelet	BRACE
	Anklet	ANKLET
	Necklace	NECKLC
	Shirt	SHIRT
	Body Band	BODBND
	Head Band	HEDBND
	Miscellaneous Abstract	MABSTRACT

<b>Class Code</b>	<b>Subclass Description</b>	<b>Subclass Code</b>
SYMBOL	National Symbols	NATION
	Political Symbols	POLITIC
	Military Symbols	MILITARY
	Fraternal Symbols	FRATERNAL
	Professional Symbols	PROFESS
	Gang Symbols	GANG
	Miscellaneous Symbols	MSYMBOLS

<b>Class Code</b>	<b>Subclass Description</b>	<b>Subclass Code</b>
OTHER	Wording (Mom, Dad, Mary, etc.)	WORDING
	Freeform Drawings	FREEFRM
	Miscellaneous Images	MISC